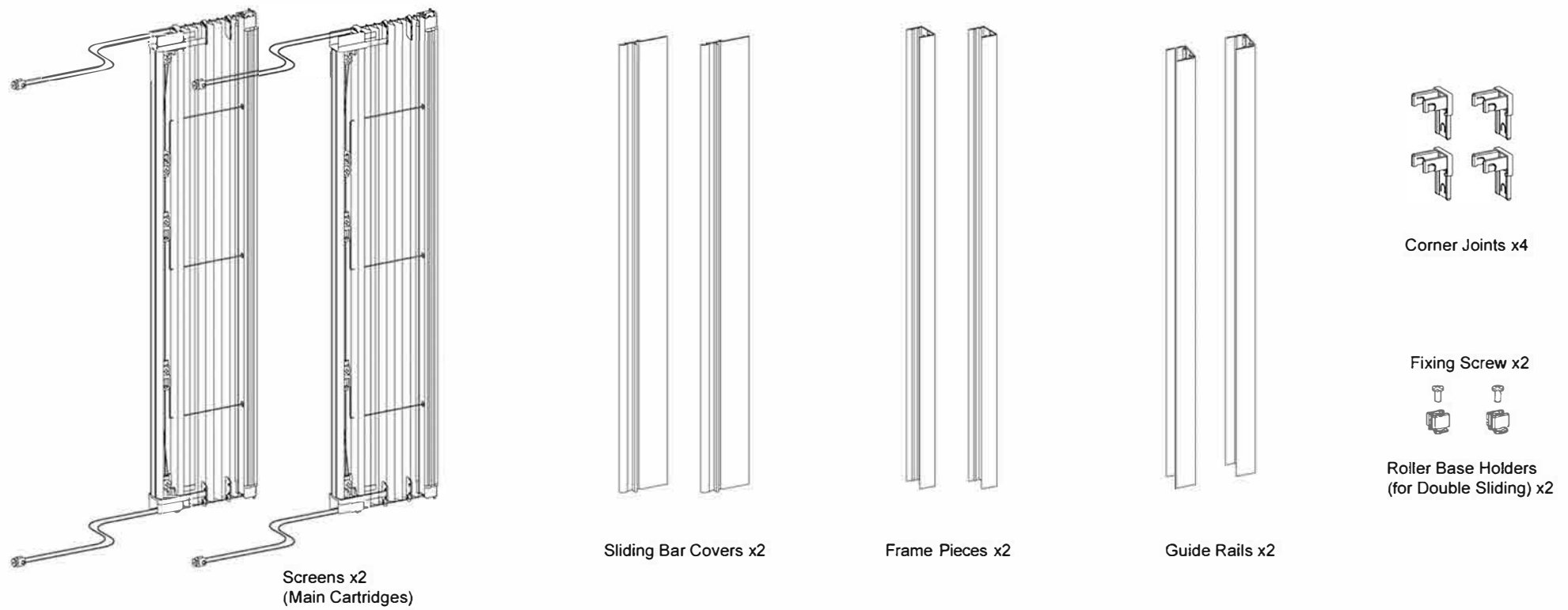


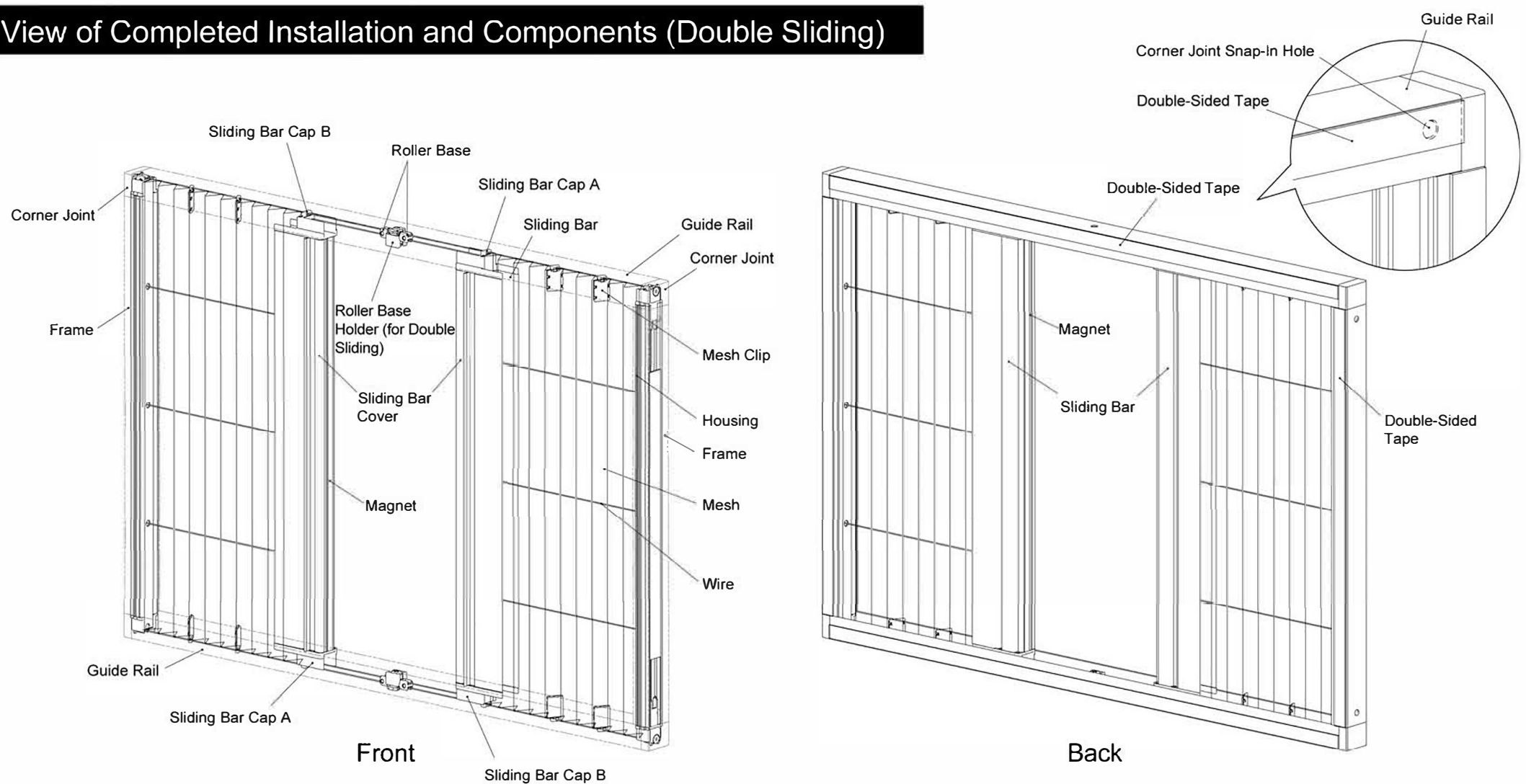
Installation Manual Monarch Window (Horizontal Sliding / Double Sliding)

Thank you for purchasing this Monarch Window product.
•Please read the instructions in this manual carefully prior to commencing installation.

Parts List



View of Completed Installation and Components (Double Sliding)



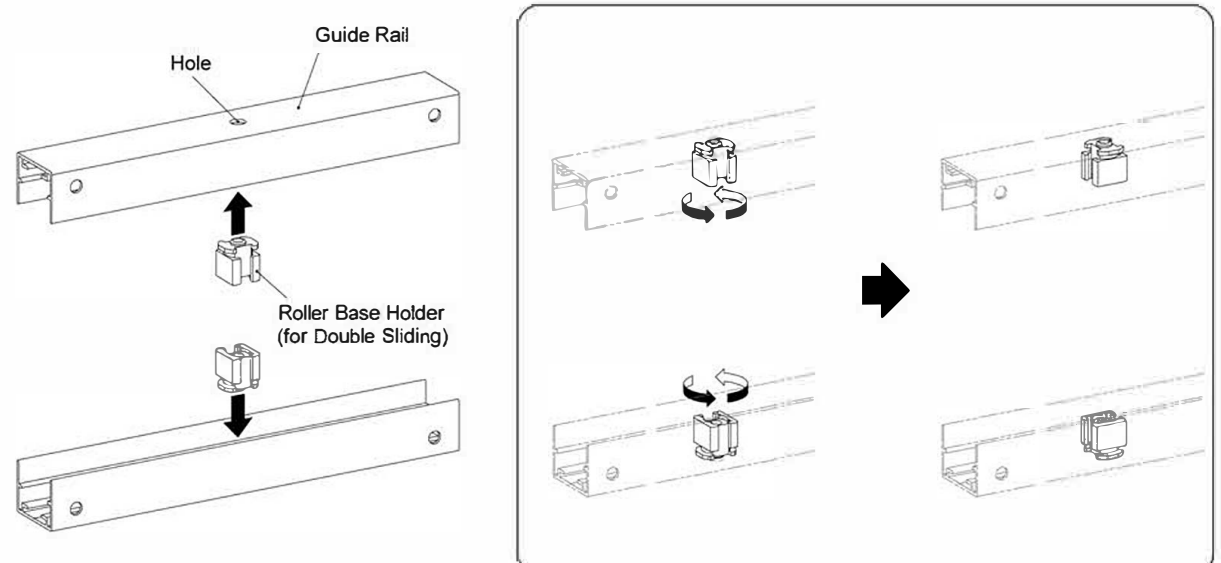
Installation Procedure

1. Mounting the Roller Base Holder

- (1) As shown in the figure, insert the Roller Base Holder into the hole located in the middle of the Guide Rail.
- (2) With the Roller Base Holder inserted into the guide rail, turn the holder 90°.

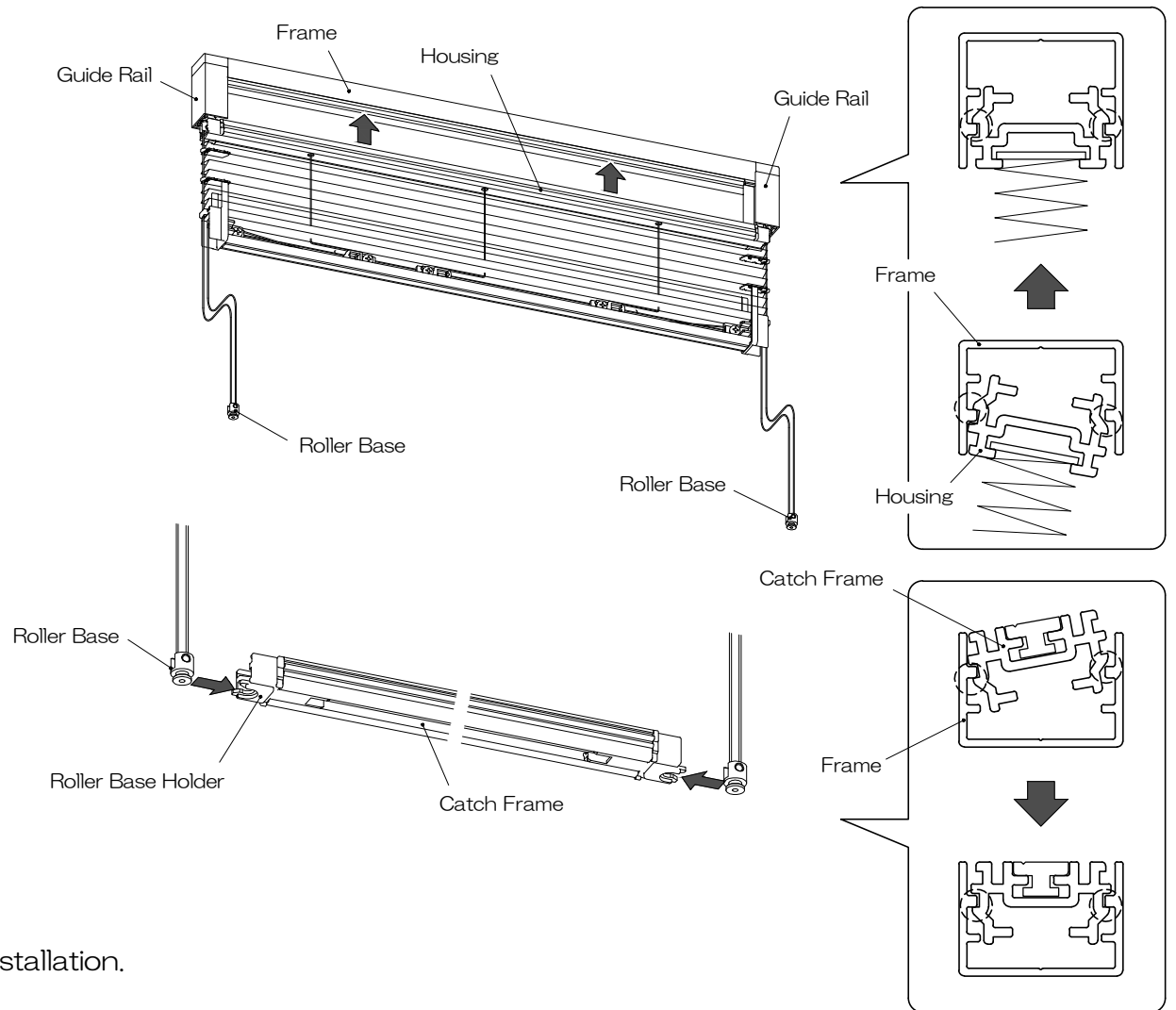
*It can be turned either direction.

*If you cannot turn it by hand, use pliers or another tool to turn it.



2. Installing the Screen (Main Cartridge) to the frame

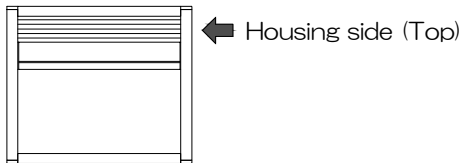
- (1) Pull the wires that extend out from the left and right of the Sliding Bar so the wire inside the Housing is taut and insert the Housing into the Frame.
- ※ The wires should not be caught between the Housing and the Frame.
- (2) Fix the Roller Bases at the Roller Base Holders at the edges of the Catch Frame.
- (3) Insert the Catch Frame into the Frame the same way as instructed above at (1).



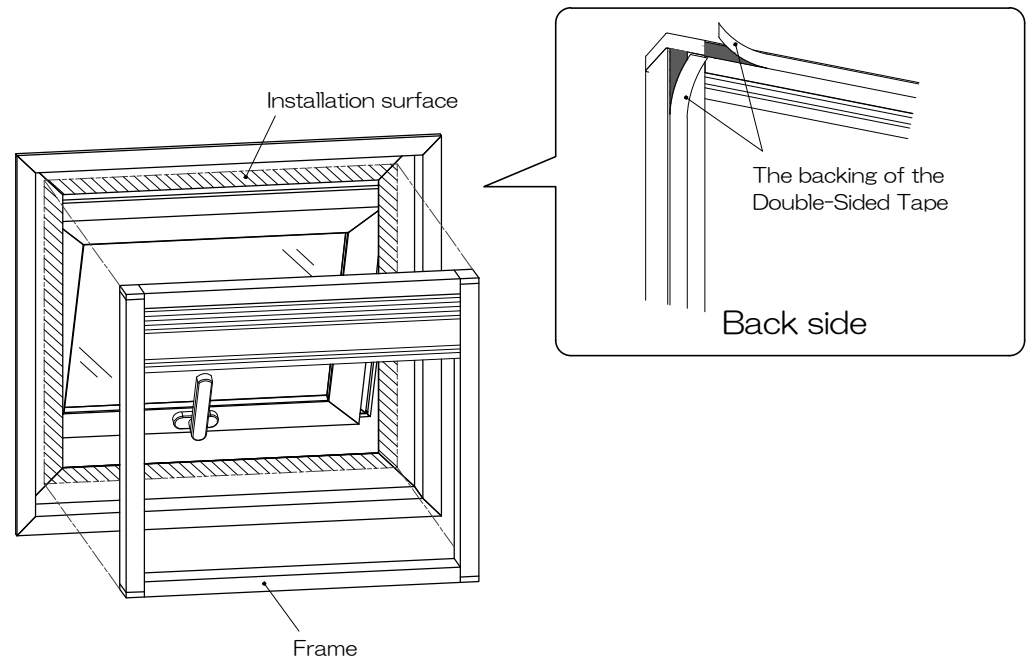
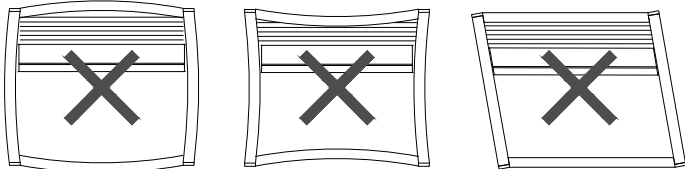
3. Installing the Screen unit

Caution : Make sure the mounting surfaces are clean before installation.

- (1) Refer to the Installation Dimension Drawings at the end (on the last page) of this manual and confirm the correct direction of the Screen and exactly where to install the Screen.



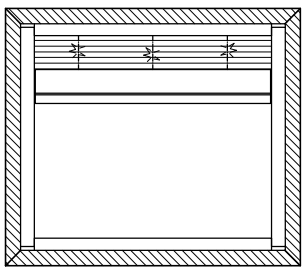
- (2) Remove the backing of the Double-Sided Tape on the back side of the Screen, affix the frame to the window sash.
- ※ For details on the mounting position, refer to the Reference Installation Dimension Drawings at the end (on the last page) of this manual.
- ※ After mounting the frame, press down firmly on all parts of the frame to ensure that it is securely attached to the window sash.
- ※ Do not install as shown below. This will interfere with operation.



4. Adjusting the wire tension

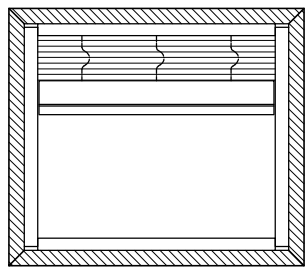
- ※ If the wire is too tight or too loose, or the Sliding Bar is not parallel to the Frame, adjust the wire tension before attaching the Sliding Bar Cover.

- ① Too tight, the screen is difficult to move,



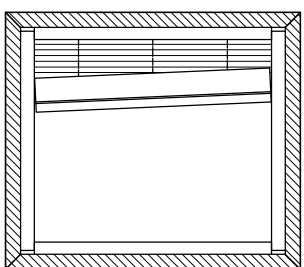
Move both Adjuster A & B in the "loosen" direction.

- ② Too loose, the wire is slack,



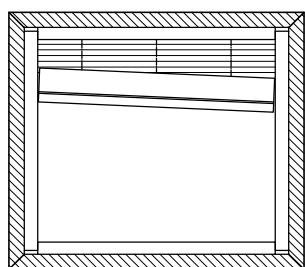
Move both Adjuster A & B in the "tighten" direction.

- ③ Side A is lower than Side B,

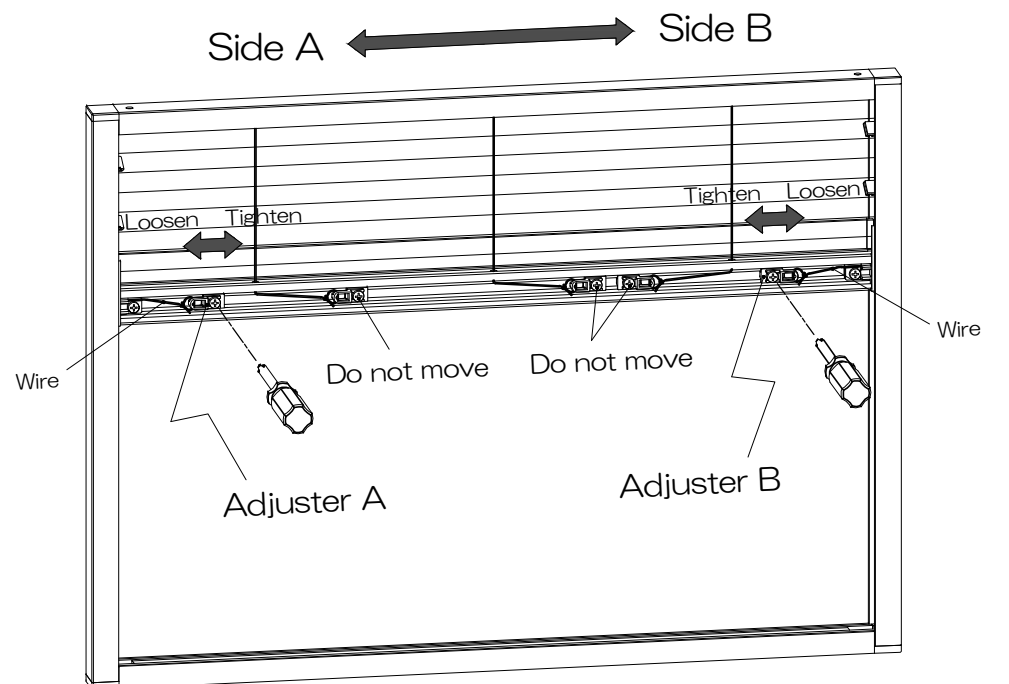


Move Adjuster A in the "loosen" direction or move Adjuster B in the "tighten" direction.

- ④ Side B is lower than Side A,

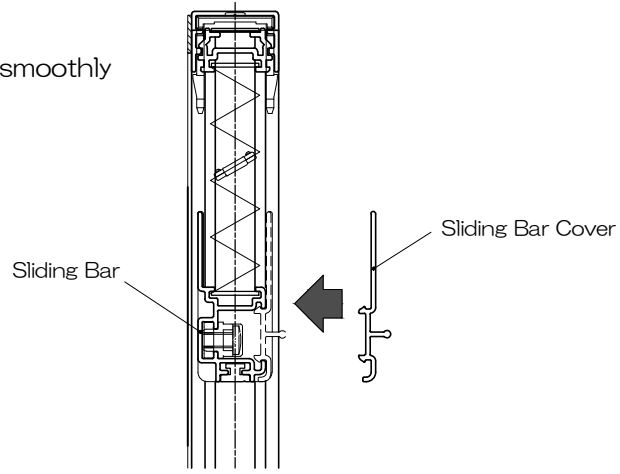


Move Adjuster A in the "tighten" direction or move Adjuster B in the "loosen" direction.



5. Attaching the Sliding Bar Cover

Open and close the screen several times to make sure it operates smoothly and then attach the Sliding Bar Cover on the Sliding Bar.



● This completes installation.

