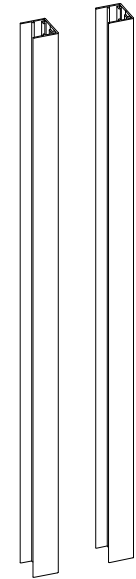
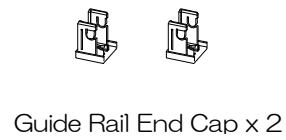
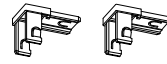
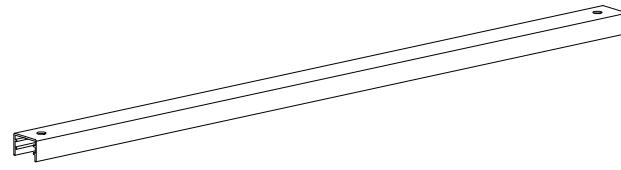
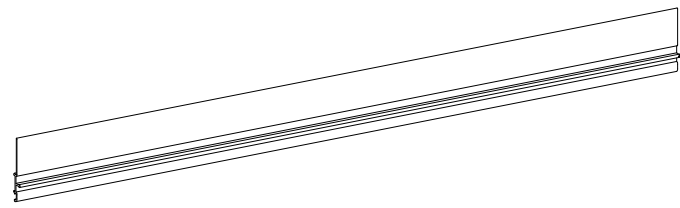
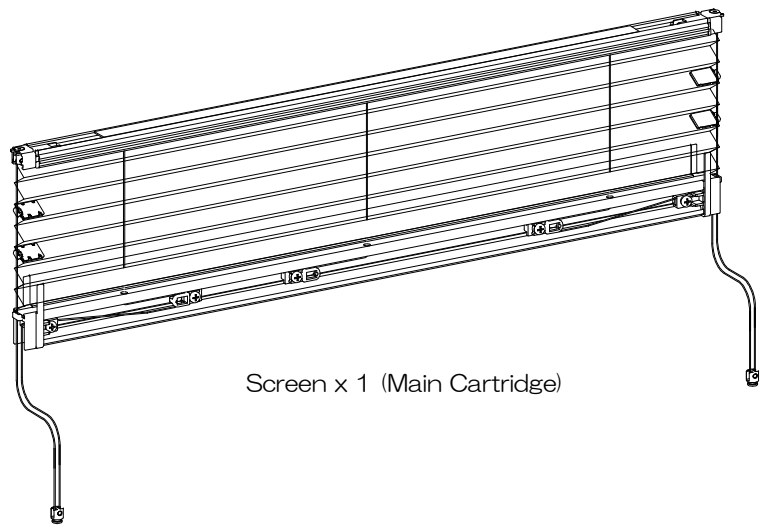


# Installation Manual Monarch Window (Pull Down)

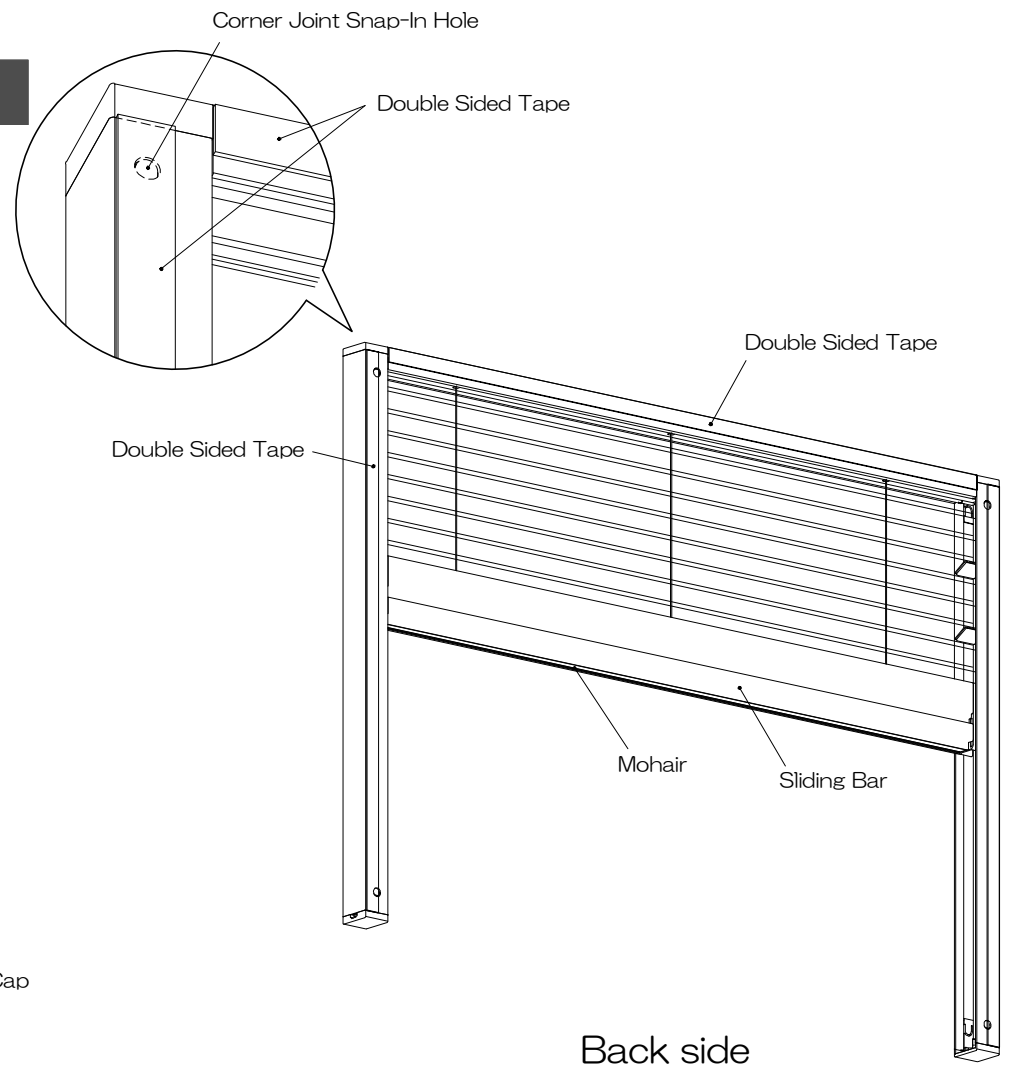
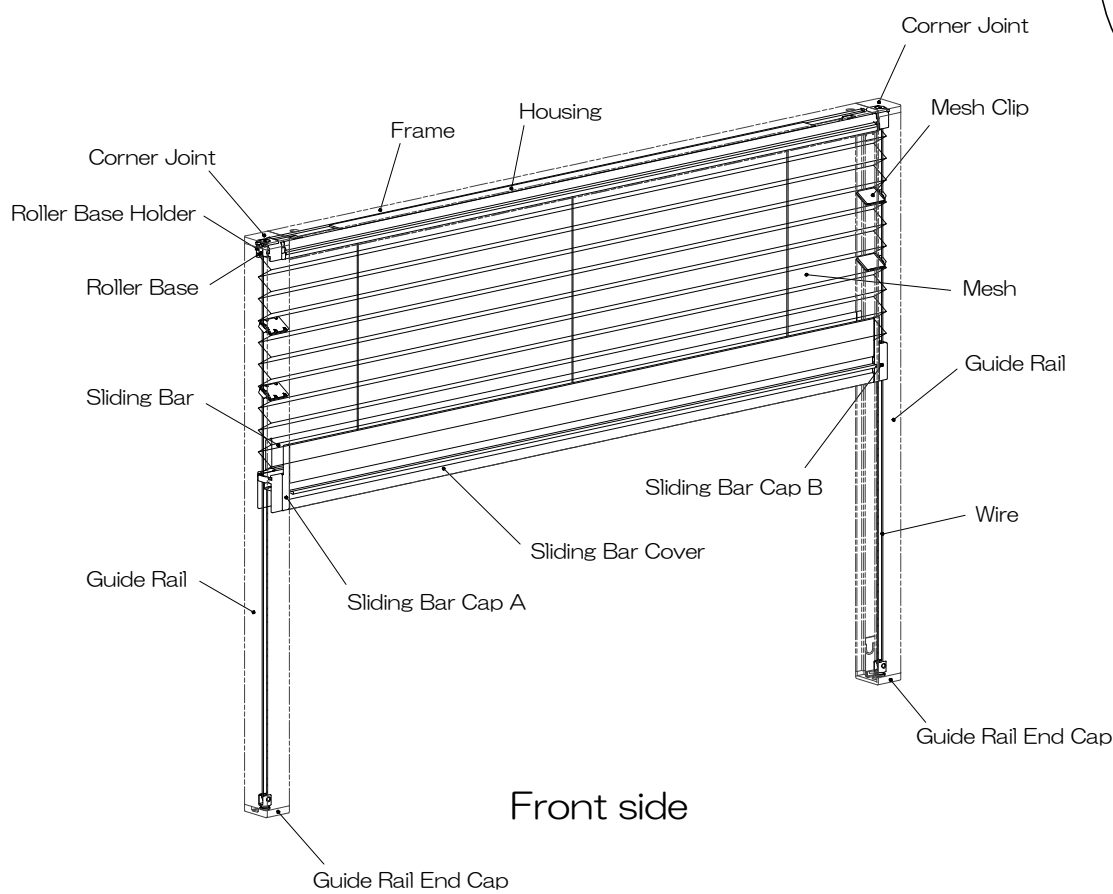
SS015-08-070915E

Thank you for purchasing this Monarch Window product.  
Please read the instructions in this manual carefully prior to commencing installation.

## Parts List



## View of Completed Installation and Components (Pull Down)



## Installation Procedure

### 1. Assembling the frame

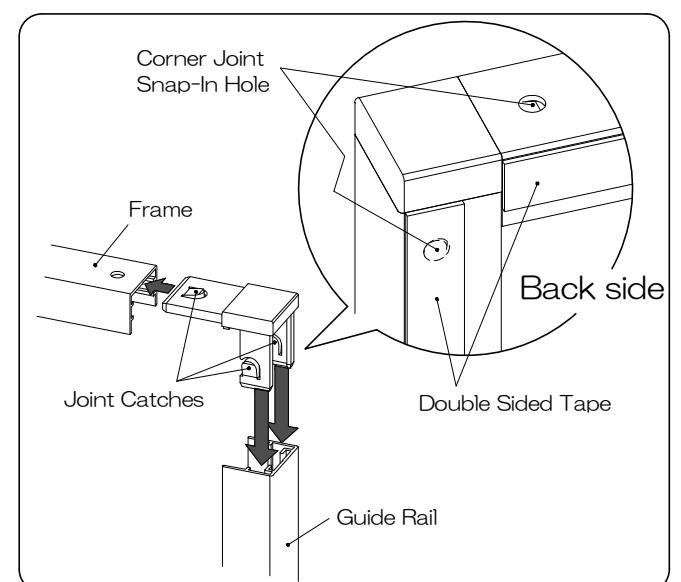
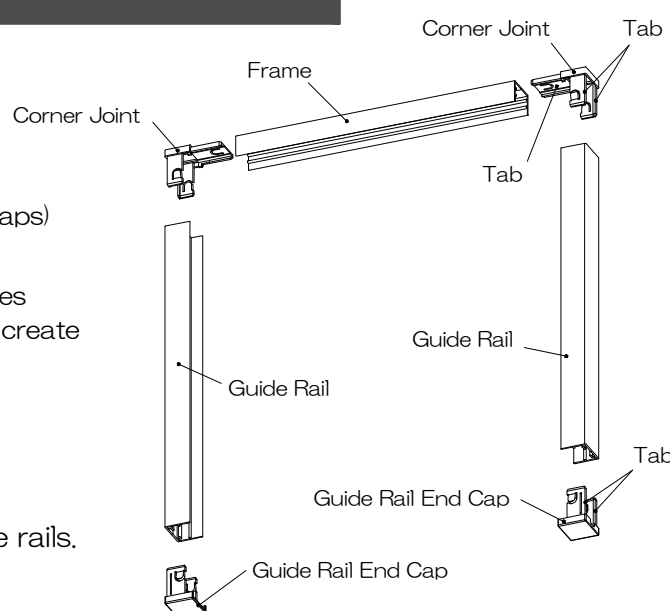
※ Identify the front and back sides of the Frame Pieces (indoor side and outdoor side).

(1) Insert the tabs (on the Corner Joints and Guide Rail End Caps) into the Guide Rails as shown.

(2) Make sure that the front and back sides of the Frame Pieces are oriented correctly, and insert the Joints into the rails to create a three sided frame.

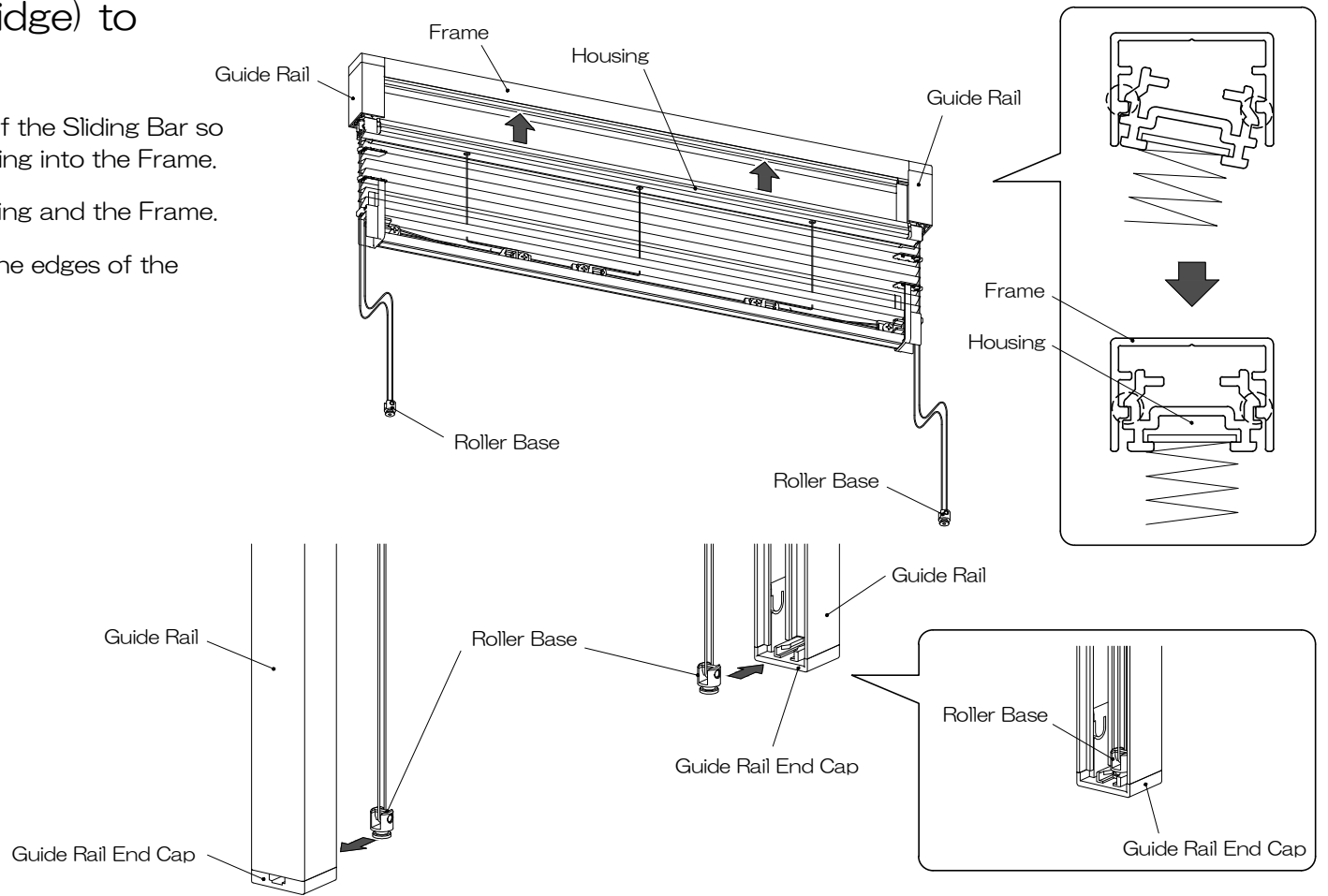
※ The side with the Double Sided Tape is the back side.

**Caution** Make sure that the joint catches are properly inserted in the Corner Joint Snap-In Holes in the rails.



## 2. Installing the Screen (Main Cartridge) to the frame

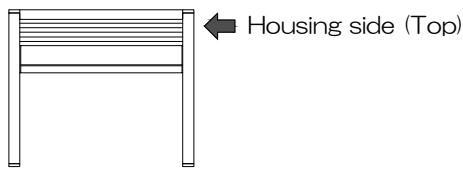
- (1) Pull the wires that extend out from the left and right of the Sliding Bar so the wire inside the Housing is taut and insert the Housing into the Frame.
  - ※ The wires should not be caught between the Housing and the Frame.
- (2) Install the Roller Bases in the Guide Rail End Caps at the edges of the Guide Rails.



## 3. Installing the Screen unit

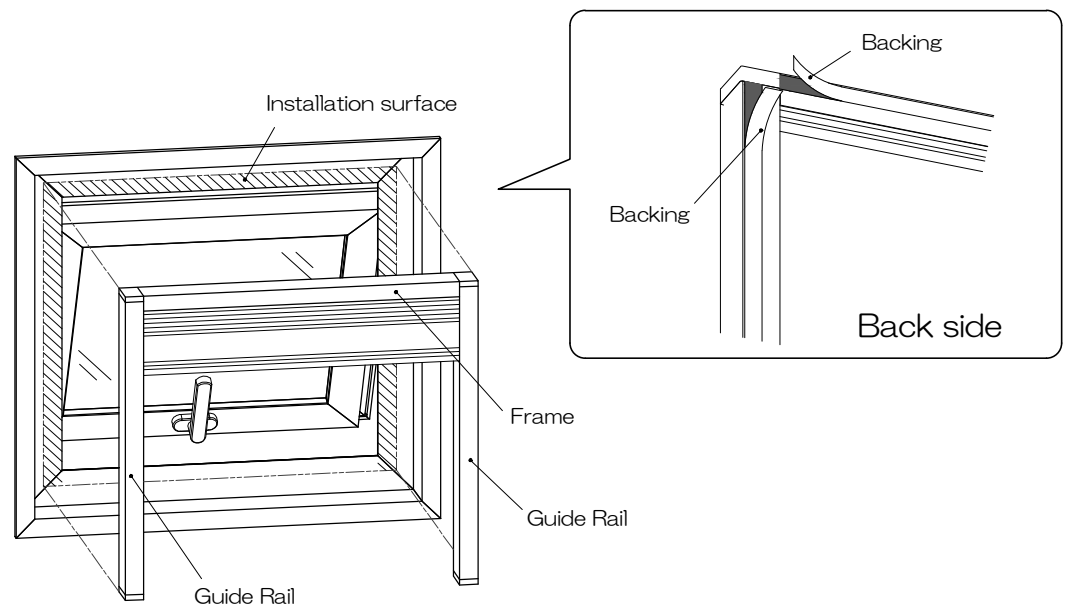
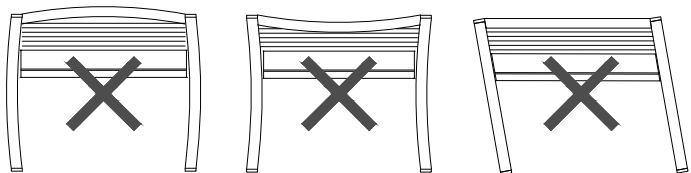
**Caution** Make sure the mounting surfaces are clean before installation.

- (1) Refer to the Installation Dimension Drawings at the end ( on the last page ) of this manual and confirm the correct direction of the Screen and exactly where to install the Screen.



- (2) Remove the backing of the Double-Sided Tape on the back side of the Screen, affix the frame to the window sash.

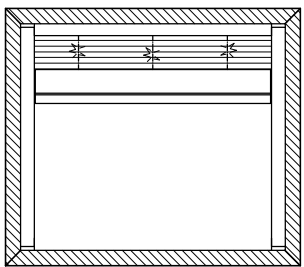
- ※ For details on the mounting position, refer to the Reference Installation Dimension Drawings at the end ( on the last page ) of this manual.
- ※ After mounting the frame, press down firmly on all parts of the frame to ensure that it is securely attached to the window sash.
- ※ Do not install as shown below. This will interfere with operation.



## 4. Adjusting the wire tension

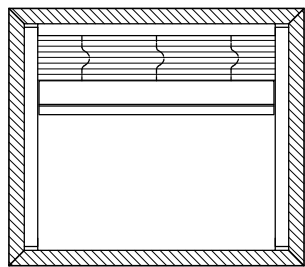
- ※ If the wire is too tight or too loose, or the Sliding Bar is not parallel to the Frame, adjust the wire tension before attaching the Sliding Bar Cover.

- ① Too tight, the screen is difficult to move,



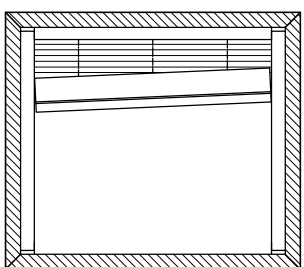
Move both Adjuster A & B in the "loosen" direction.

- ② Too loose, the wire is slack,



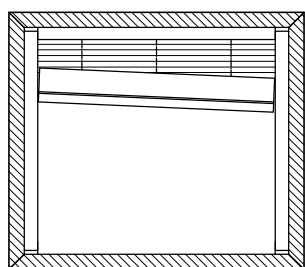
Move both Adjuster A & B in the "tighten" direction.

- ③ Side A is lower than Side B,

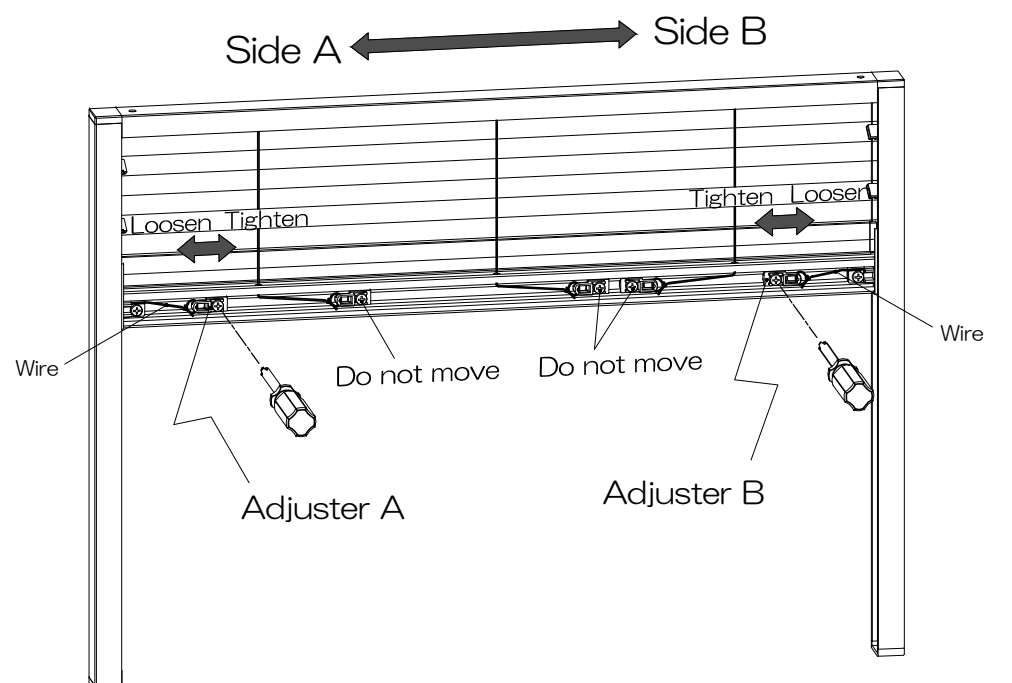


Move Adjuster A in the "loosen" direction or move Adjuster B in the "tighten" direction.

- ④ Side B is lower than Side A,

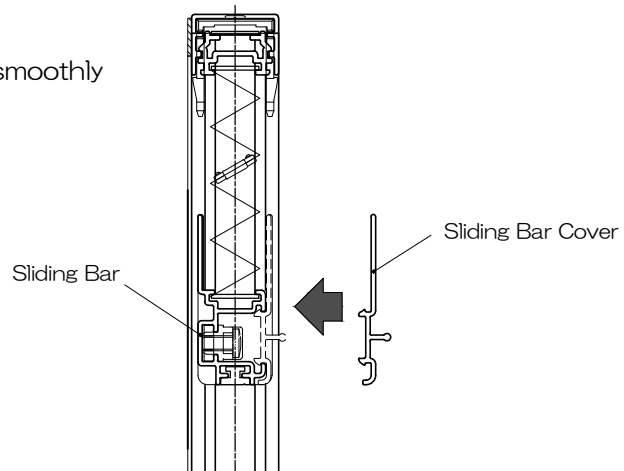


Move Adjuster A in the "tighten" direction or move Adjuster B in the "loosen" direction.



## 5. Attaching the Sliding Bar Cover

Open and close the screen several times to make sure it operates smoothly and then attach the Sliding Bar Cover on the Sliding Bar.



● This completes installation.

