

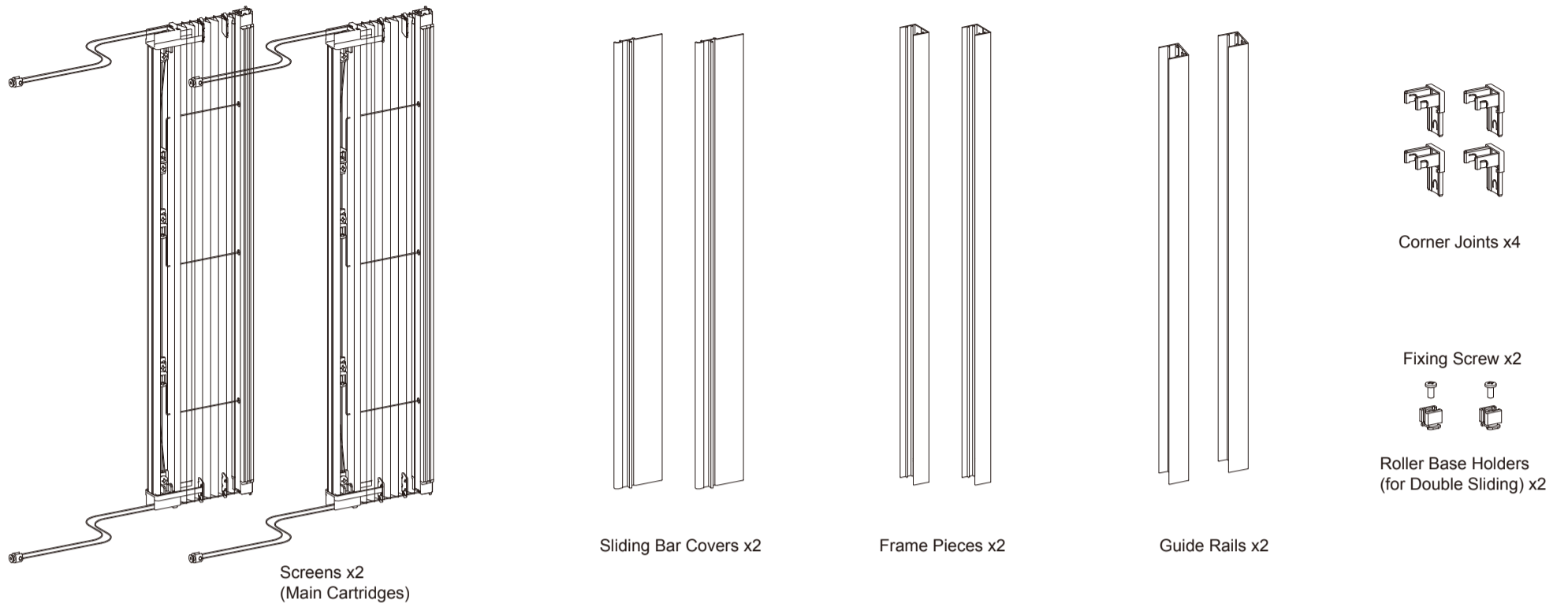
# Installation Manual Monarch Window (Horizontal Sliding / Double Sliding)

SS015-04-210514E

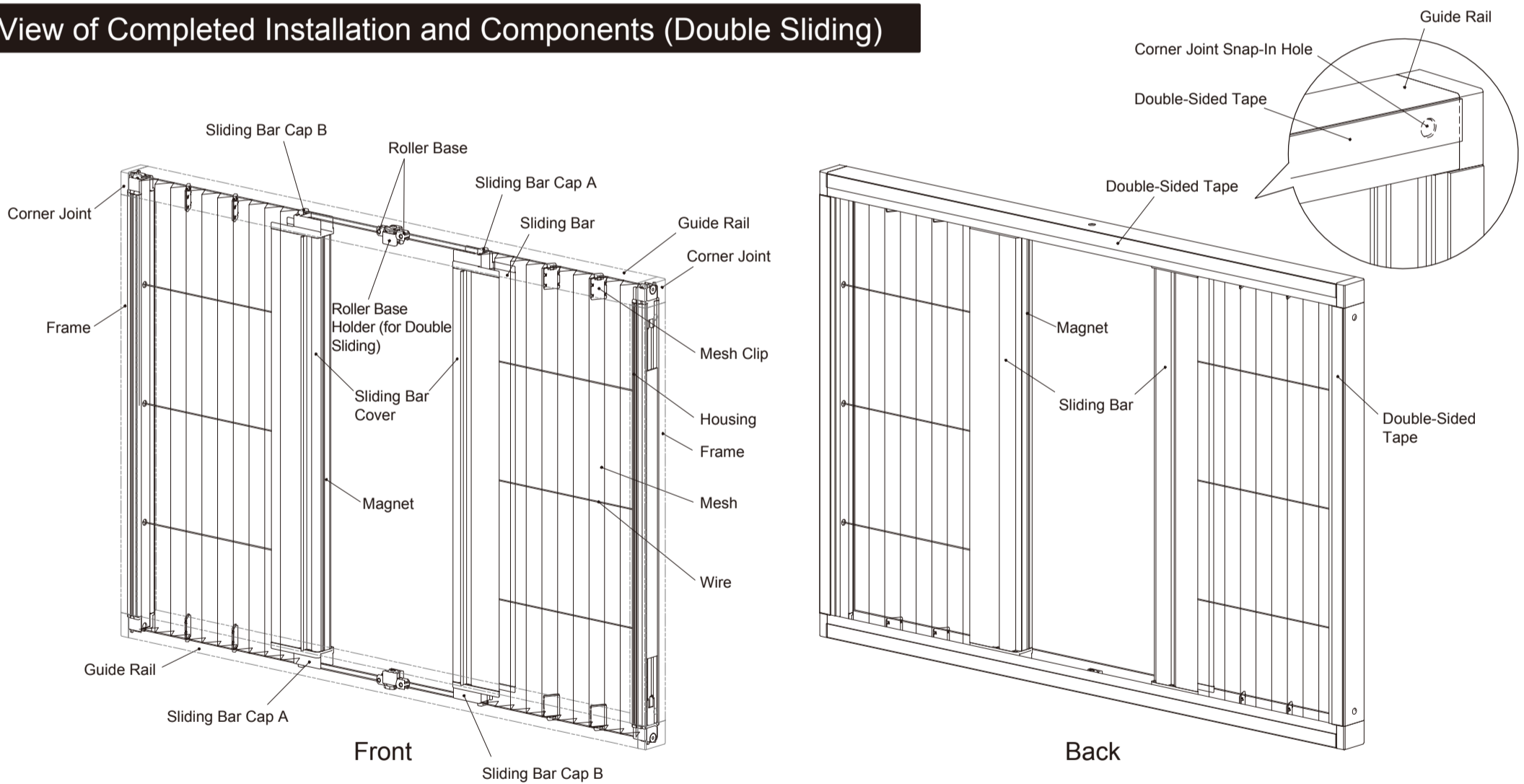
Thank you for purchasing this Monarch Window product.

•Please read the instructions in this manual carefully prior to commencing installation.

## Parts List



## View of Completed Installation and Components (Double Sliding)



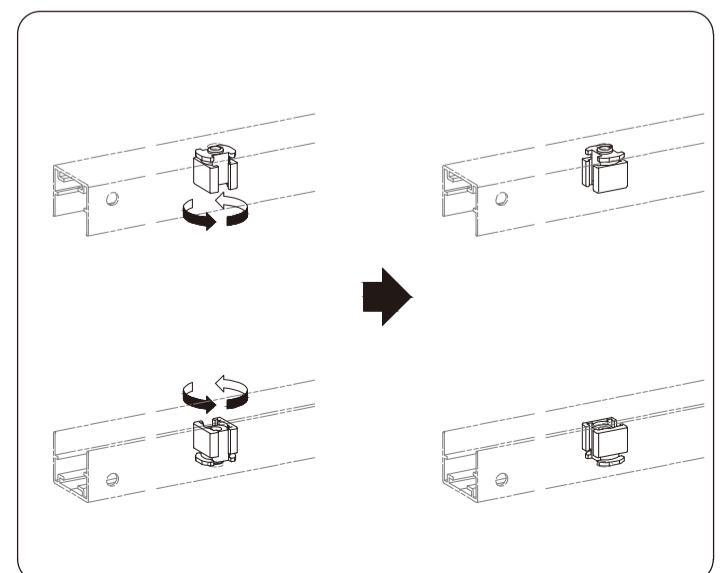
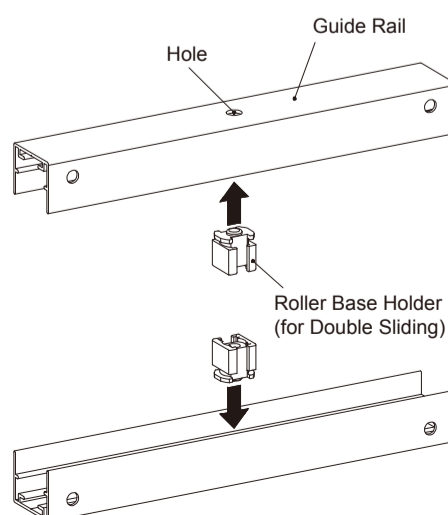
## Installation Procedure

### 1. Mounting the Roller Base Holder

- (1) As shown in the figure, insert the Roller Base Holder into the hole located in the middle of the Guide Rail.
- (2) With the Roller Base Holder inserted into the guide rail, turn the holder 90°.

\*It can be turned either direction.

\*If you cannot turn it by hand, use pliers or another tool to turn it.



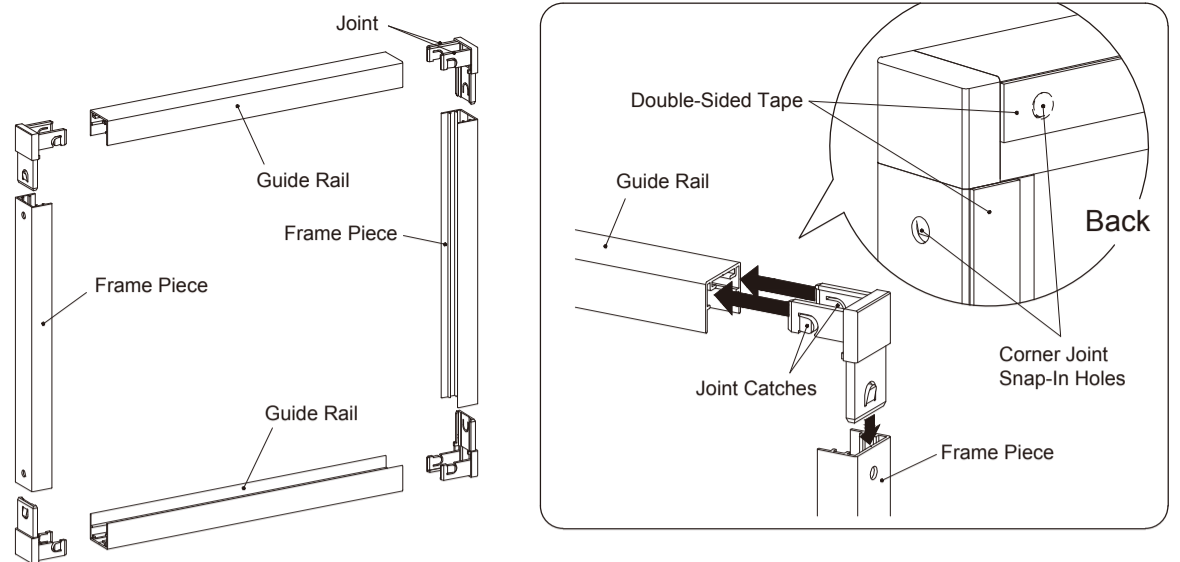
## 2. Assembling the Frame

\*Identify the front and back sides of the Frame Pieces (indoor side and outdoor side).

- (1) Insert the tabs on the Corner Joints into the Guide Rails as shown.
- (2) Make sure that the front and back sides of the Frame Pieces are oriented correctly, and insert the joints into the rails to create a rectangular frame.

\*The side with the Double-Sided Tape is the back side.

**Caution** Make sure that the Joint Catches are properly inserted in the Corner Joint Snap-In Holes in the rails.

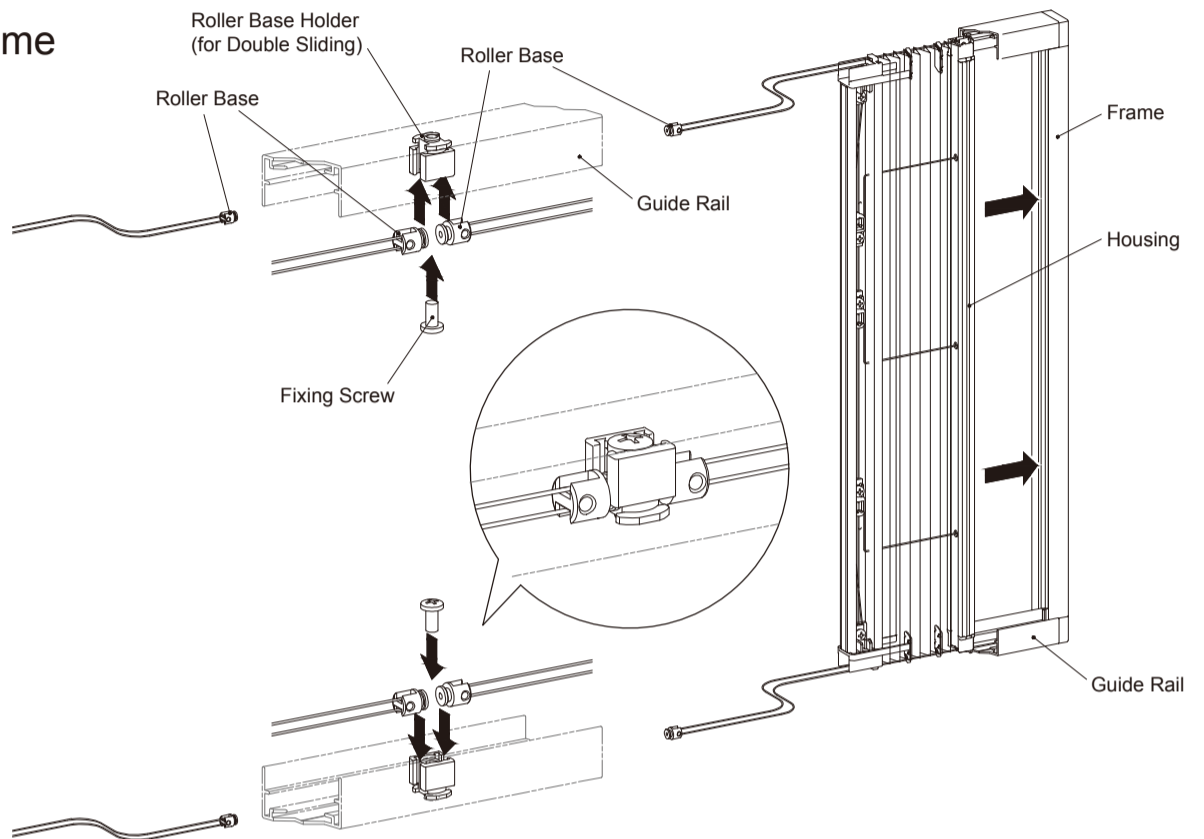
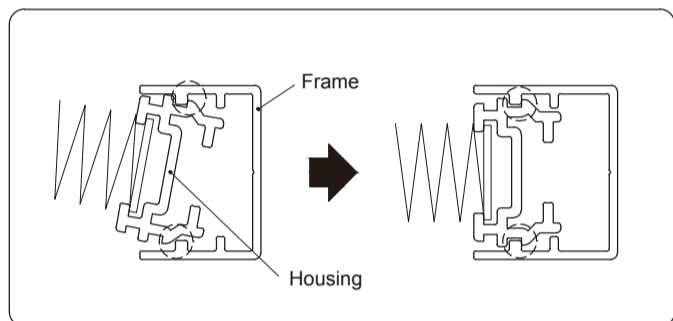


## 3. Installing the Screens (Main Cartridges) to the Frame

- (1) Pull the wires that extend out from the top and bottom of the Sliding Bar so that the wire inside the Housing is taut, and then fit the Screen Housing into the Frame.

\*Take care that the wires are not caught between the Housing and the Frame.

- (2) Follow the same procedures for the another Screen.
- (3) After fitting both the right and left screen housings into the Frame, install the Roller Bases into the Roller Base Holders.
- (4) Insert the Fixing Screws into the Roller Bases and tighten them with a screwdriver.



## 4. Installing the Screen unit

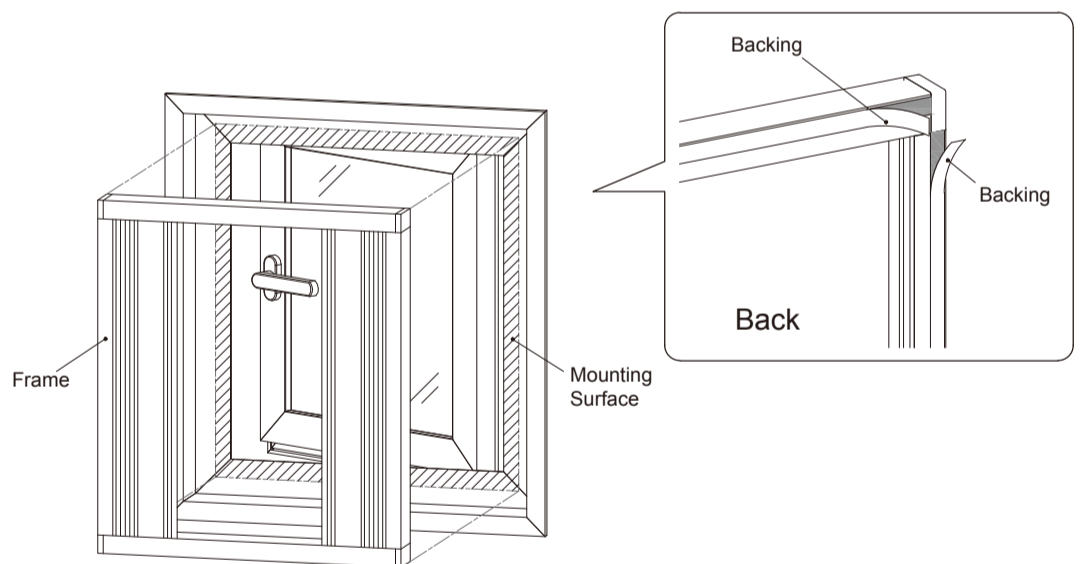
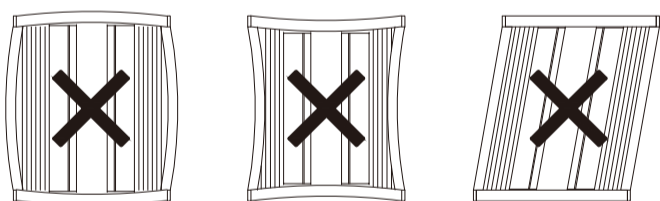
**Caution** Make sure the mounting surfaces are clean before installation.

- (1) Before installing the screen unit, refer to the Installation Dimension Drawings at the end of this manual to check the mounting position.

- (2) Remove the backing from the Double-Sided Tape on the back, and affix the Frame to the mounting surface of window sash.

\*For details on the mounting position, refer to the Reference Installation Dimension Drawings at the end of this manual.

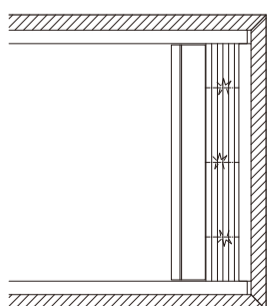
\*After mounting the frame, press down firmly on all parts of the Frame to ensure that it is securely attached to the window sash.



## 5. Adjusting the wire tension

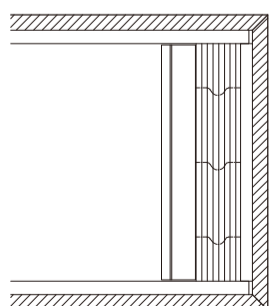
\*If the wire is too tight or too loose, or the Sliding Bar is not parallel to the Frame, adjust the wire tension before attaching the Sliding Bar Cover.

- 1) Too tight, the screen is difficult to move



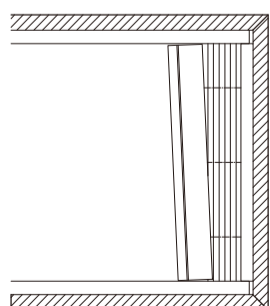
Move both adjusters A and B in the loosening direction

- 2) Too loose, the wire is slack



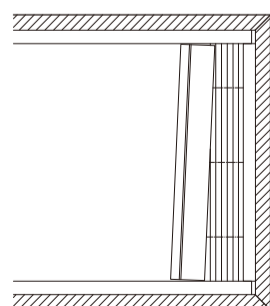
Move both adjusters A and B in the tightening direction

- 3) Side A is tilted toward the inner side

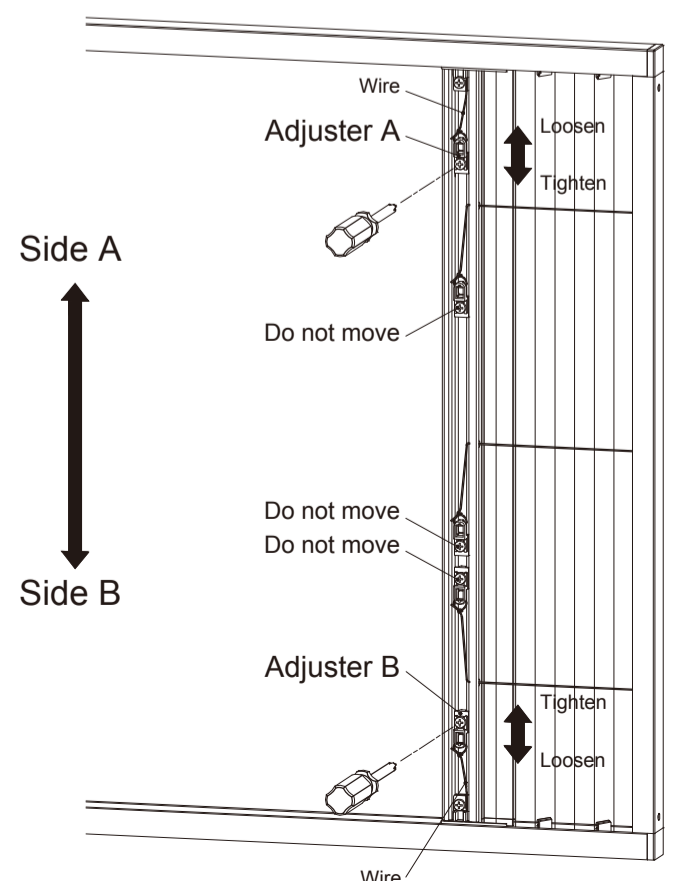


Move adjuster A in the loosening direction, or move adjuster B in the tightening direction

- 4) Side A is tilted toward the outer side

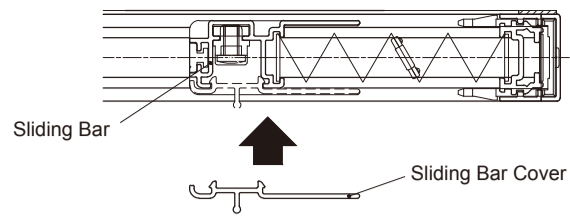


Move adjuster A in the tightening direction, or move adjuster B in the loosening direction



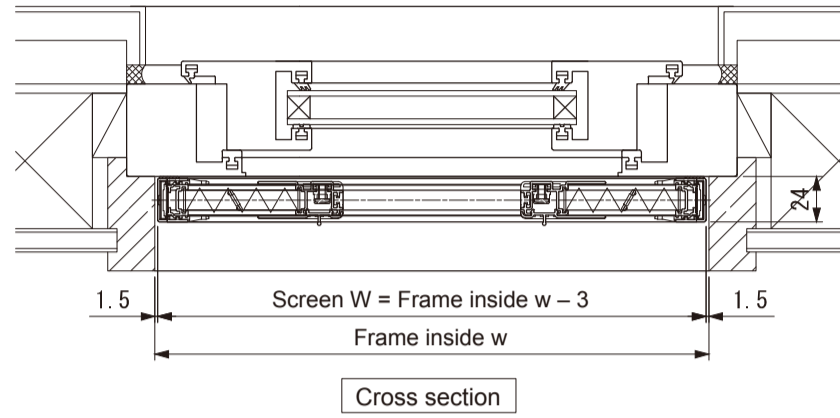
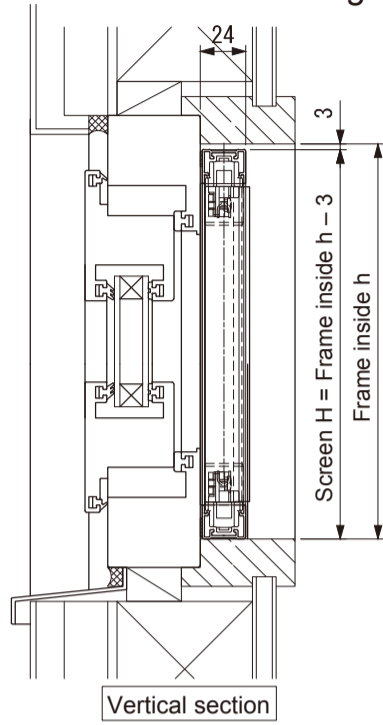
## 6. Attaching the Sliding Bar Covers

Open and close the screens several times to make sure they operate smoothly, and then attach the Sliding Bar Covers on each of the Sliding Bars.

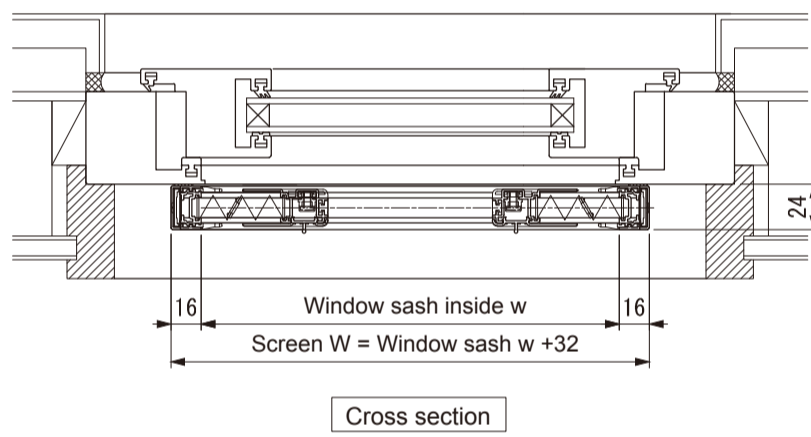
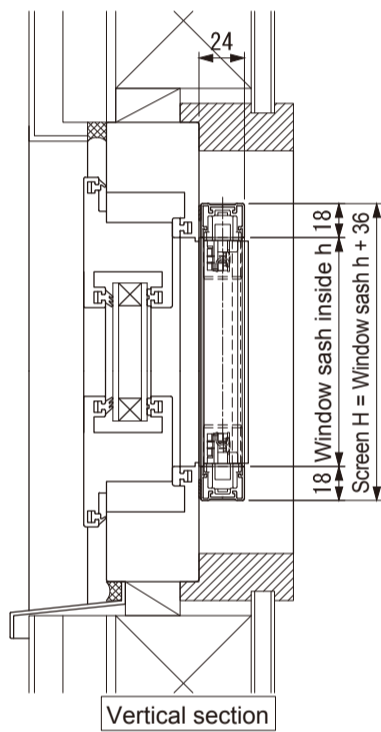


•This completes installation.

### ■Reference Installation Dimension Drawings



<Based on inside dimensions of frame>



<Based on dimensions of window sash opening>