

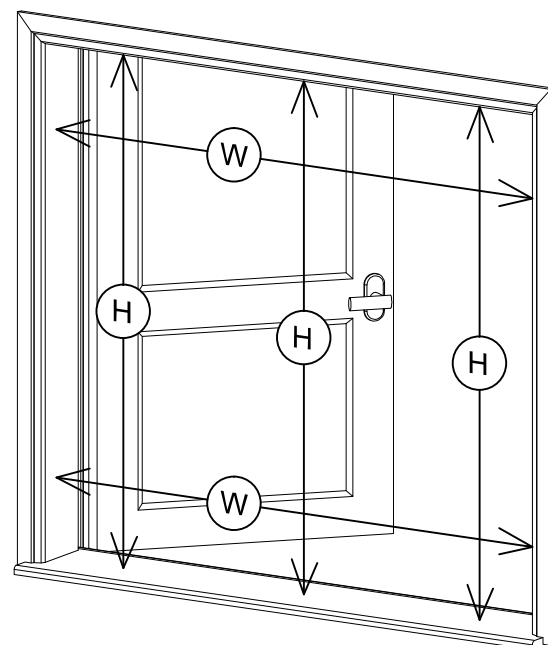
- Thank you for purchasing the Retractable Screen.
- Read this instruction carefully before cutting the components.

## Measuring the Frame

Measure the inside dimensions of the frame where the screen will be installed onto. Keep in mind there must be a minimum of 1 3/4" (45mm) of flat surface on the frame for install of the screen.

Inner dimensions of the Frame

Width(W)	Height(H)



## Calculating Dimensions of the Components

Apply the appropriate dimension from above, in each of the applicable formula boxes below.

- Calculation for cutting the Top/Bottom Rail

Width(W) ※	[ Cut to this length ]
[                      ] / 2 - 30 mm ( 1.18" ) =	

※ In case of connecting Rails, use the calculation below.

$$\text{Length} = (\text{Width}/4) - 16 \text{ mm ( 0.63" )}$$

- Calculation for cutting the Housing

Height(H)	[ Cut to this length ]
[                      ] - 8 mm ( 0.31" ) =	

- Calculation for cutting the Sliding Bar

Height(H)	[ Cut to this length ]
[                      ] - 123 mm ( 4.84" ) =	

- Calculation for cutting the Inner Cartridges

Height(H)	[ Cut to this length ]
[                      ] - 60 mm ( 2.36" ) =	

- Calculation for cutting the Mesh, Fixing Strips

Height(H)	[ Cut to this length ]
[                      ] - 18 mm ( 0.71" ) =	

- Calculation for cutting the Angle Spacer (Option)

Width(W) ※	[ Cut to this length ]
[                      ] / 2 - 4 mm ( 0.16" ) =	

※ In case of connecting Rails, use the calculation below.

$$\text{Length} = (\text{Width}/4) - 2 \text{ mm ( 0.08" )}$$

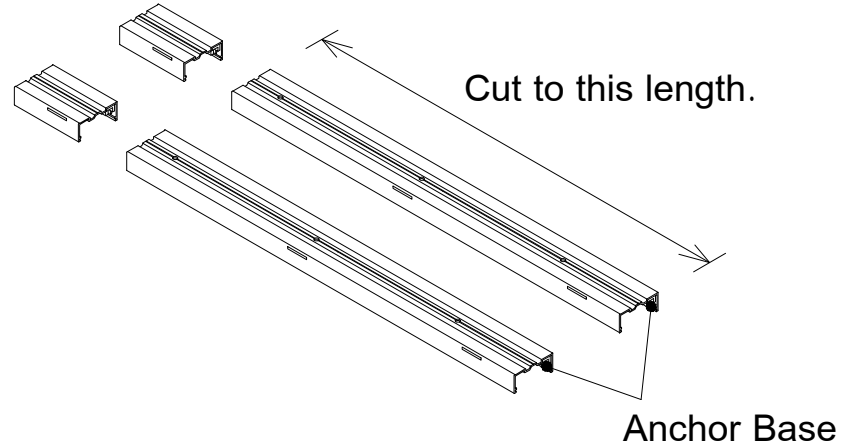
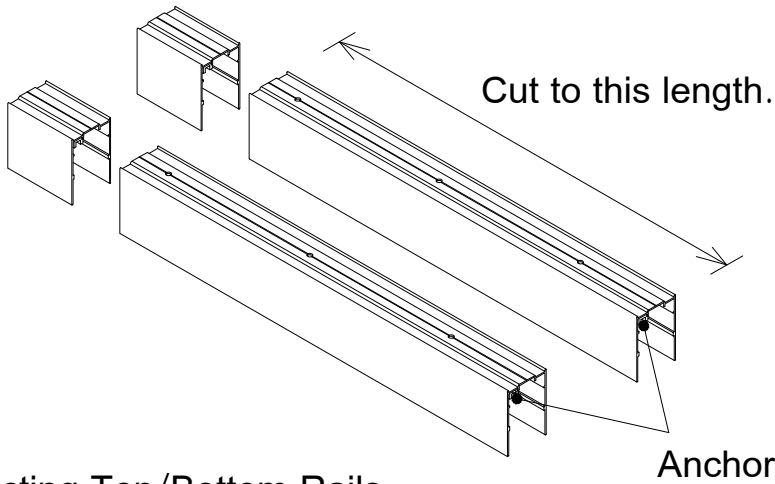
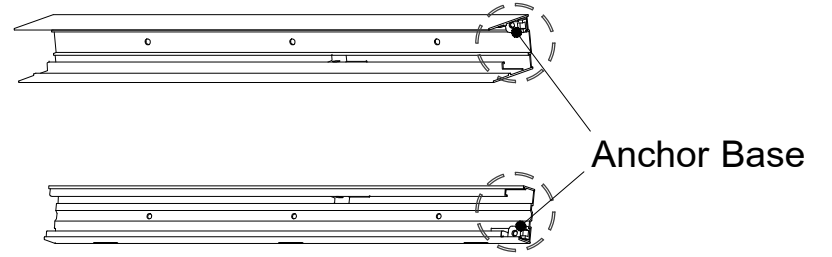
### Caution

- Be reminded that the maximum cut down to the vertical components can not exceed 50mm ( 1.97" ).
- When the plastic parts and the Magnet Strips on the Sliding Bar and the Catch Frame are removed, reinstall them after cutting procedures.

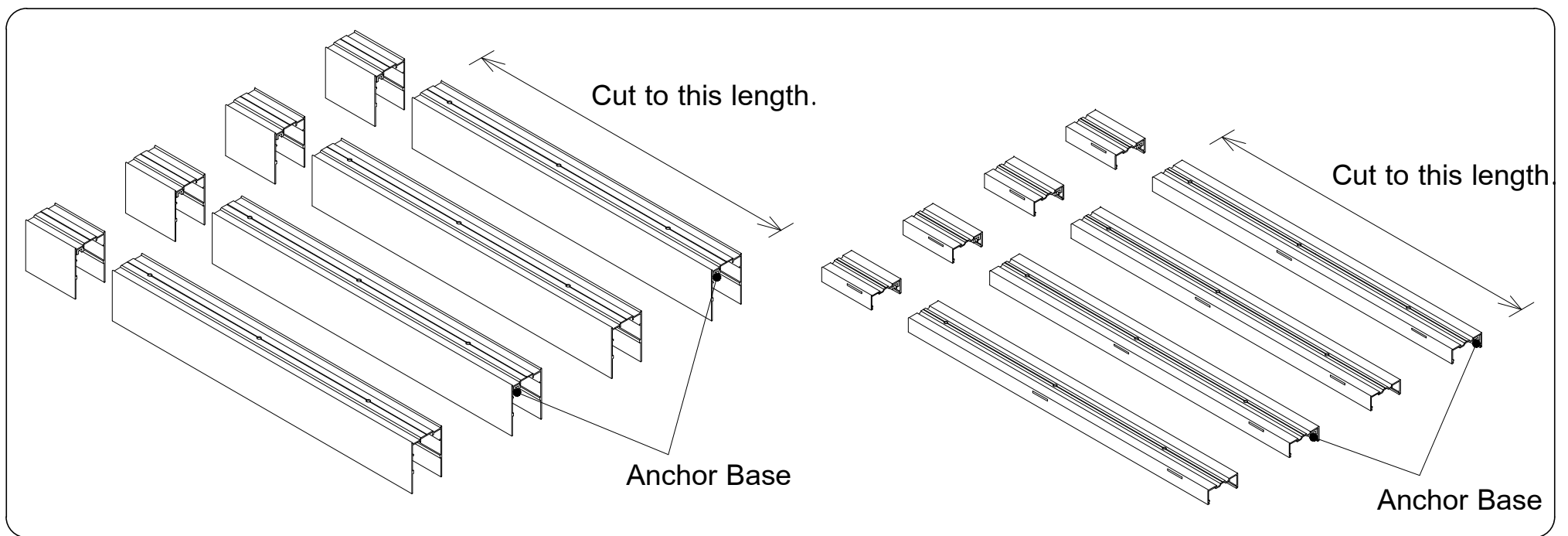
■ Cutting the Components

1 Cutting the Top/Bottom Rail

- (1) Measuring FROM the end with Anchor Base, make a mark on the Top/Bottom Rail from the corresponding formula box on the front page.
- (2) Cut the Top/Bottom Rail straight along the mark.

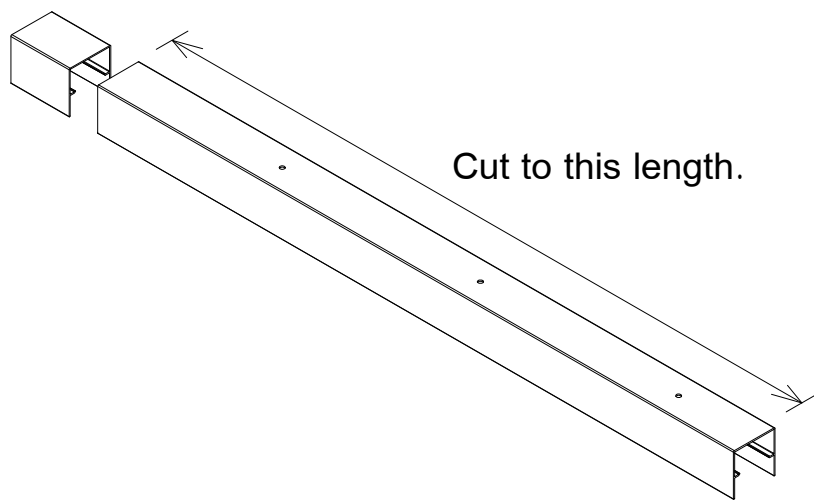


Connecting Top/Bottom Rails



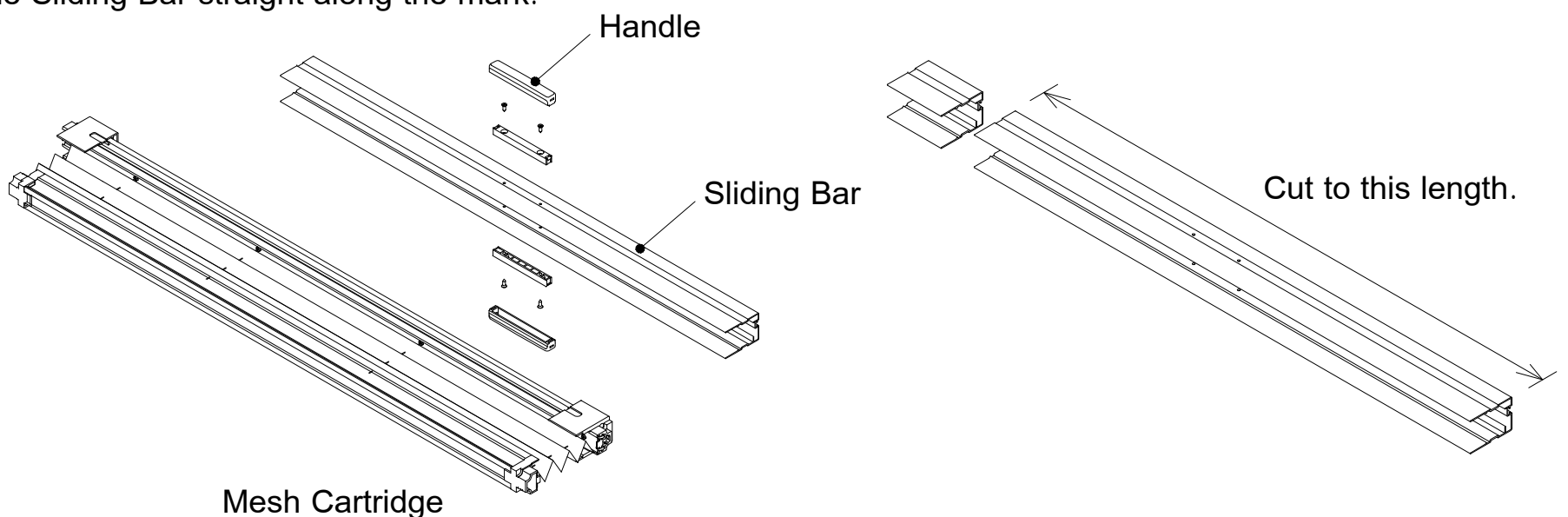
2 Cutting the Housing

- (1) Measuring FROM the end, make a mark on the Housing from the corresponding formula box on the front page.
- (2) Cut the Housing straight along the mark.



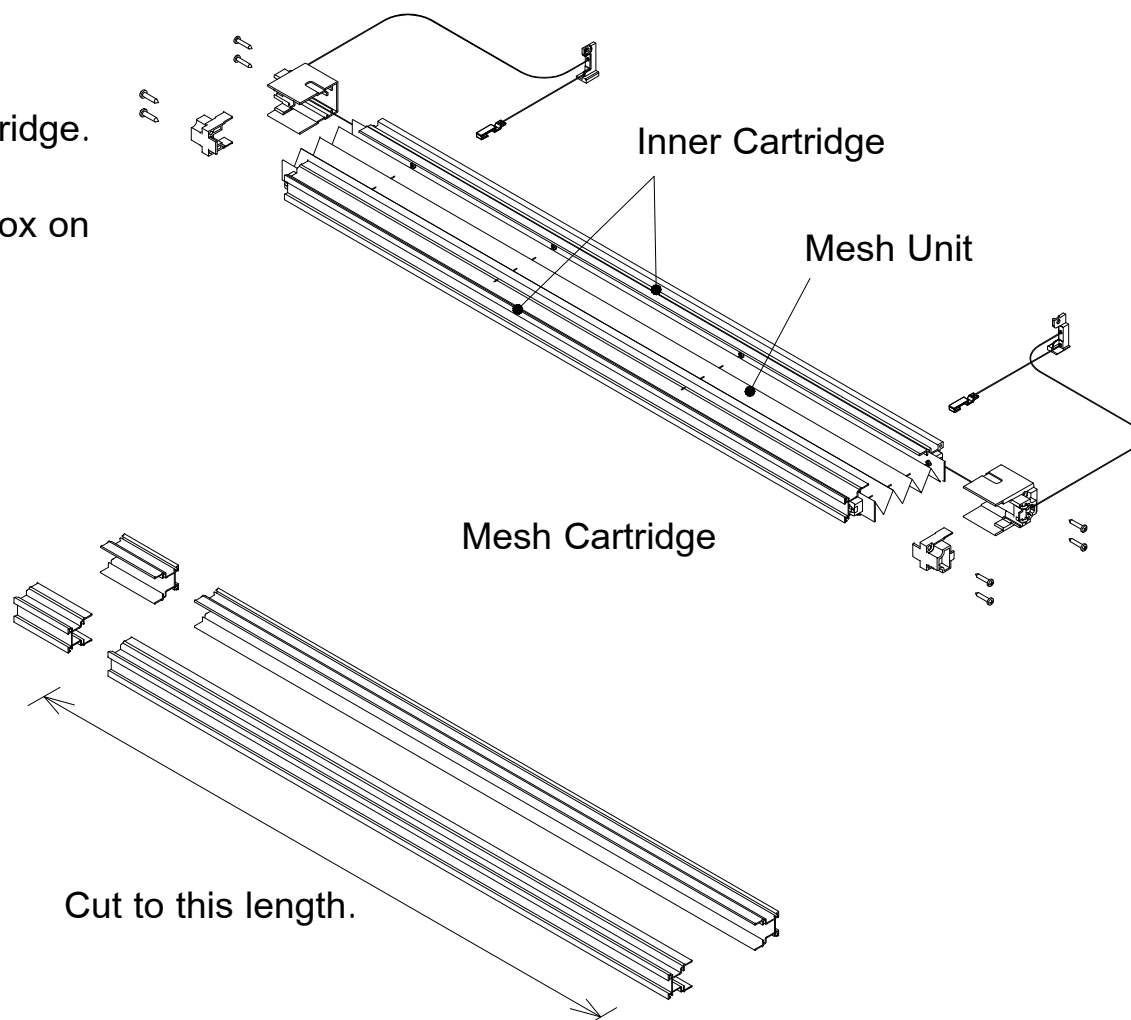
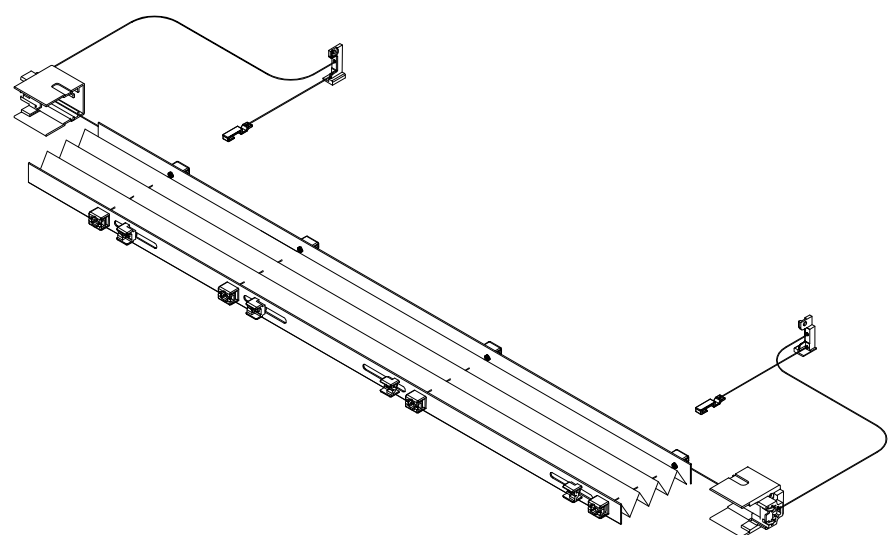
3 Cutting the Sliding Bar

- (1) Take off the Handles and remove the Sliding Bar from the Mesh Cartridge.
- (2) Measuring FROM the bottom end, make a mark on the Sliding Bar from the corresponding formula box on the front page.
- (3) Cut the Sliding Bar straight along the mark.



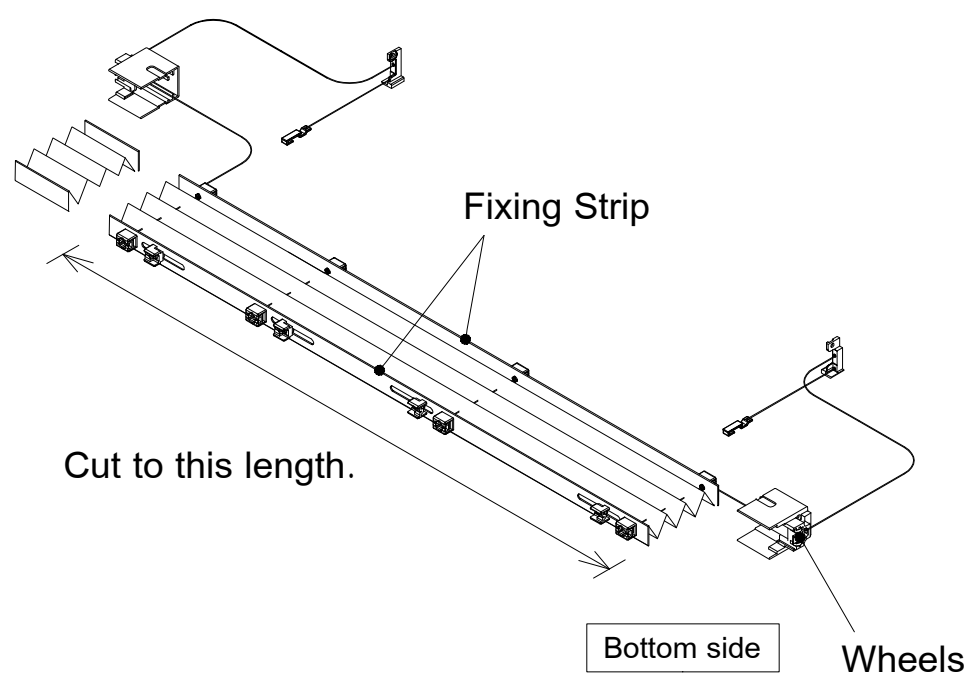
#### 4 Cutting the Inner Cartridges

- (1) Remove the Inner Cartridges from the Mesh Cartridge.
- (2) Measuring FROM the end, make a mark on the Inner Cartridge from the corresponding formula box on the front page.
- (3) Cut the Inner Cartridges straight along the mark.



#### 5 Cutting the Mesh, Fixing Strips

- (1) Measuring FROM the bottom end, make a mark on the Fixing strips from the corresponding formula box on the front page.
- ✳ Sliding Bar Cap on the bottom has Wheels.
- (2) Cut the Mesh with Fixing Strips straight along the mark.
- (3) Reassemble the Mesh Unit and Inner Cartridges in reverse order.



#### 6 Cutting the Angle Spacer (Option)

- (1) Measuring FROM the end, make a mark on the Bottom Rail Spacer from the corresponding formula box on the front page.
- (2) Cut the Bottom Rail Spacer straight along the mark.

