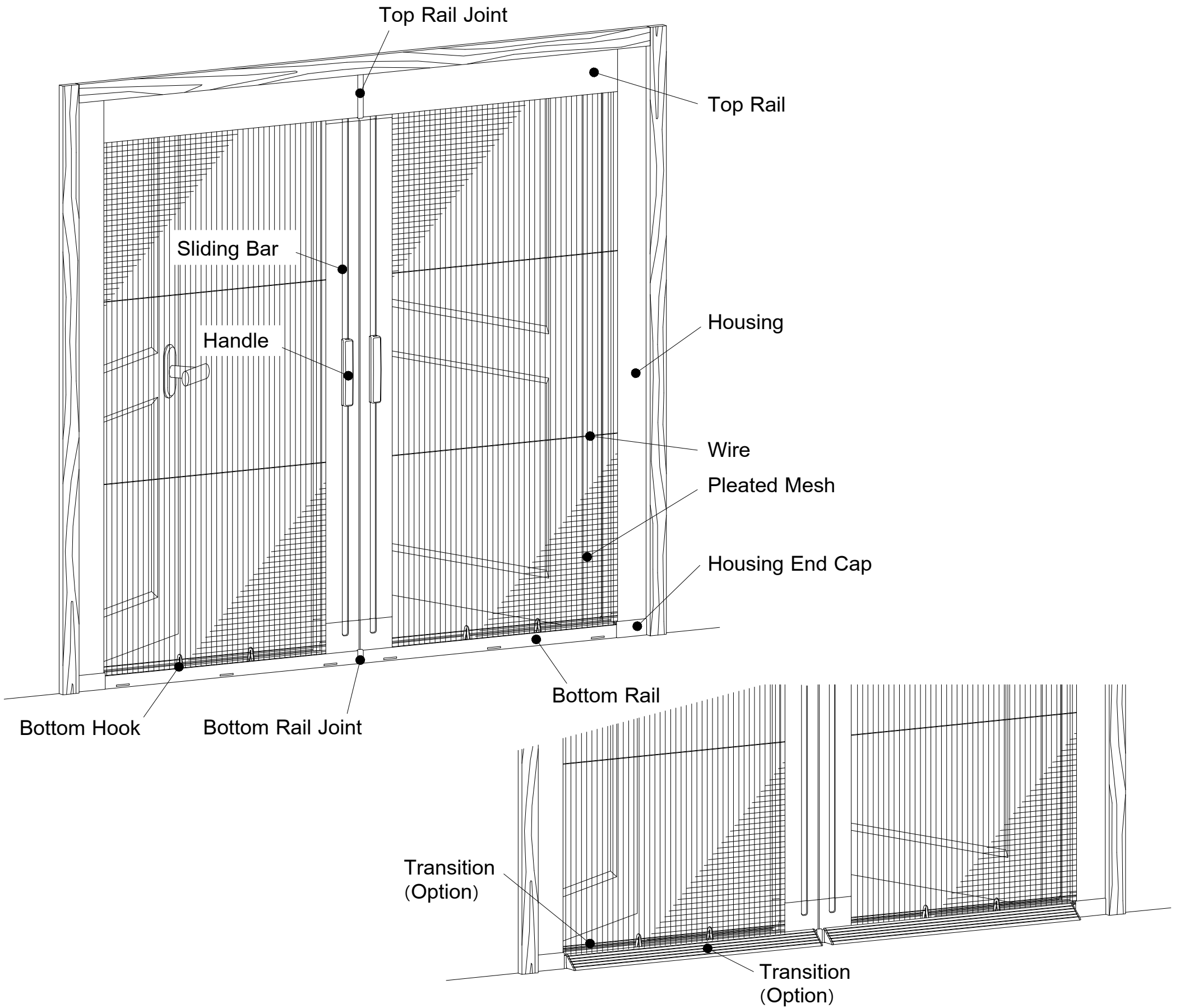
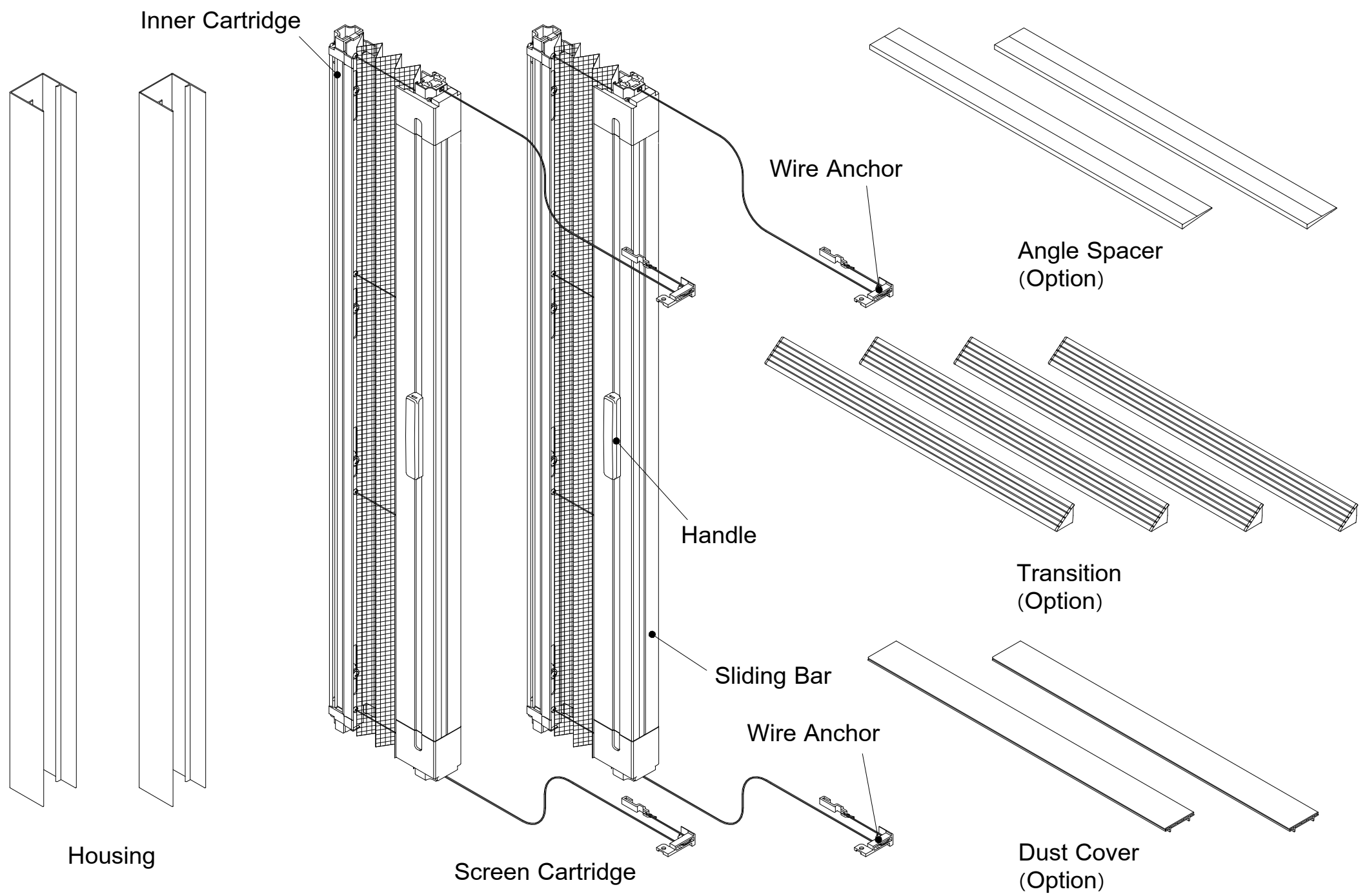


Prior to installation, the surfaces where any screen components are to be installed must be flat, straight, square, plumb and level. The surface must be free of dirt and debris.

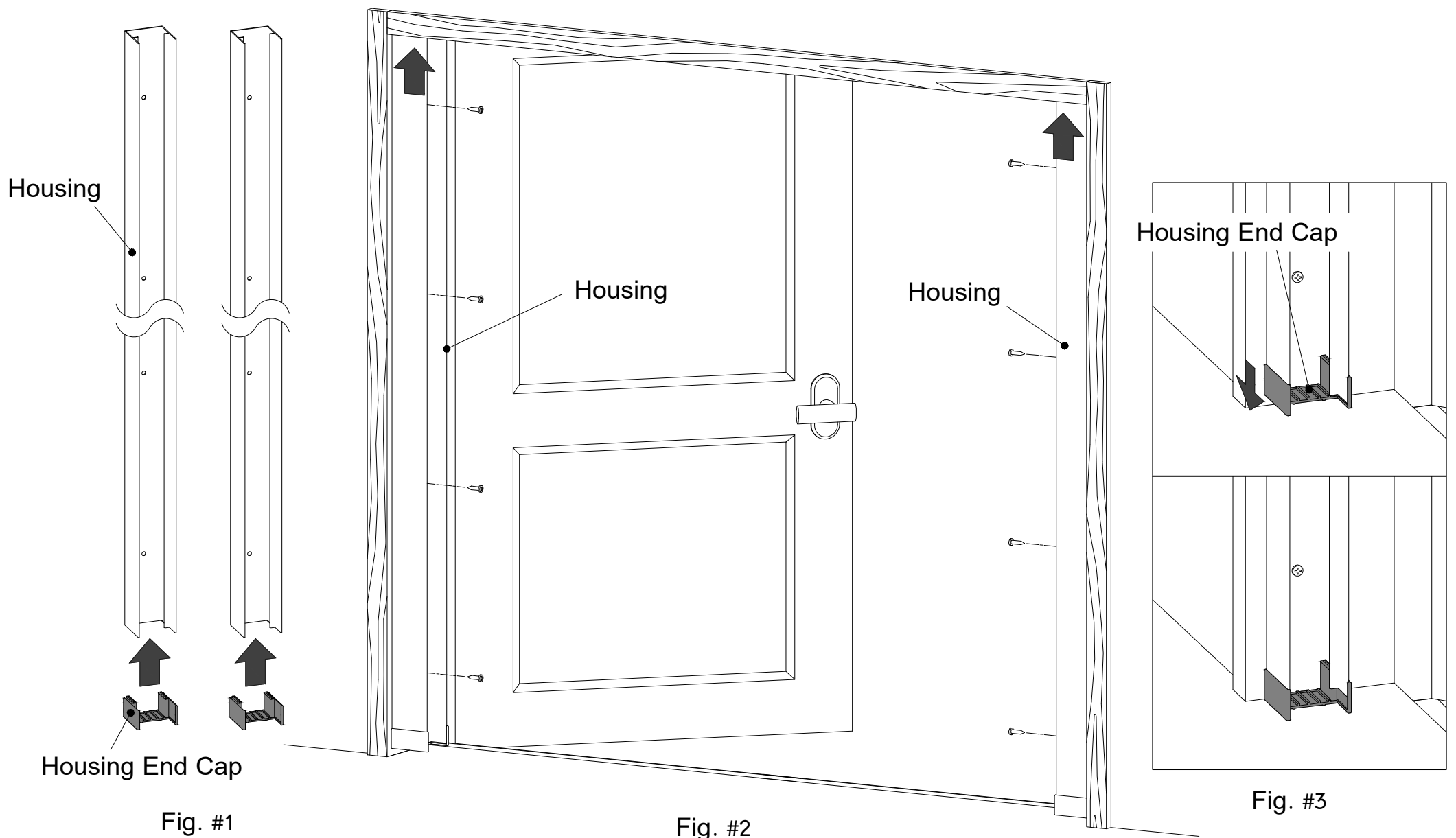


Parts List



Installation

- 1 Insert and fix the Housing End Cap at the bottom of the Housing (Fig.#1).
- 2 Push the Housing up to the top and fix it to the frame with screws (Fig.#2).
- 3 Push the Housing End Cap down to the bottom (Fig.#3).



※ In case the floor is not flat but with some angle, please stick the Angle Spacer all along the width length (Fig.#4).

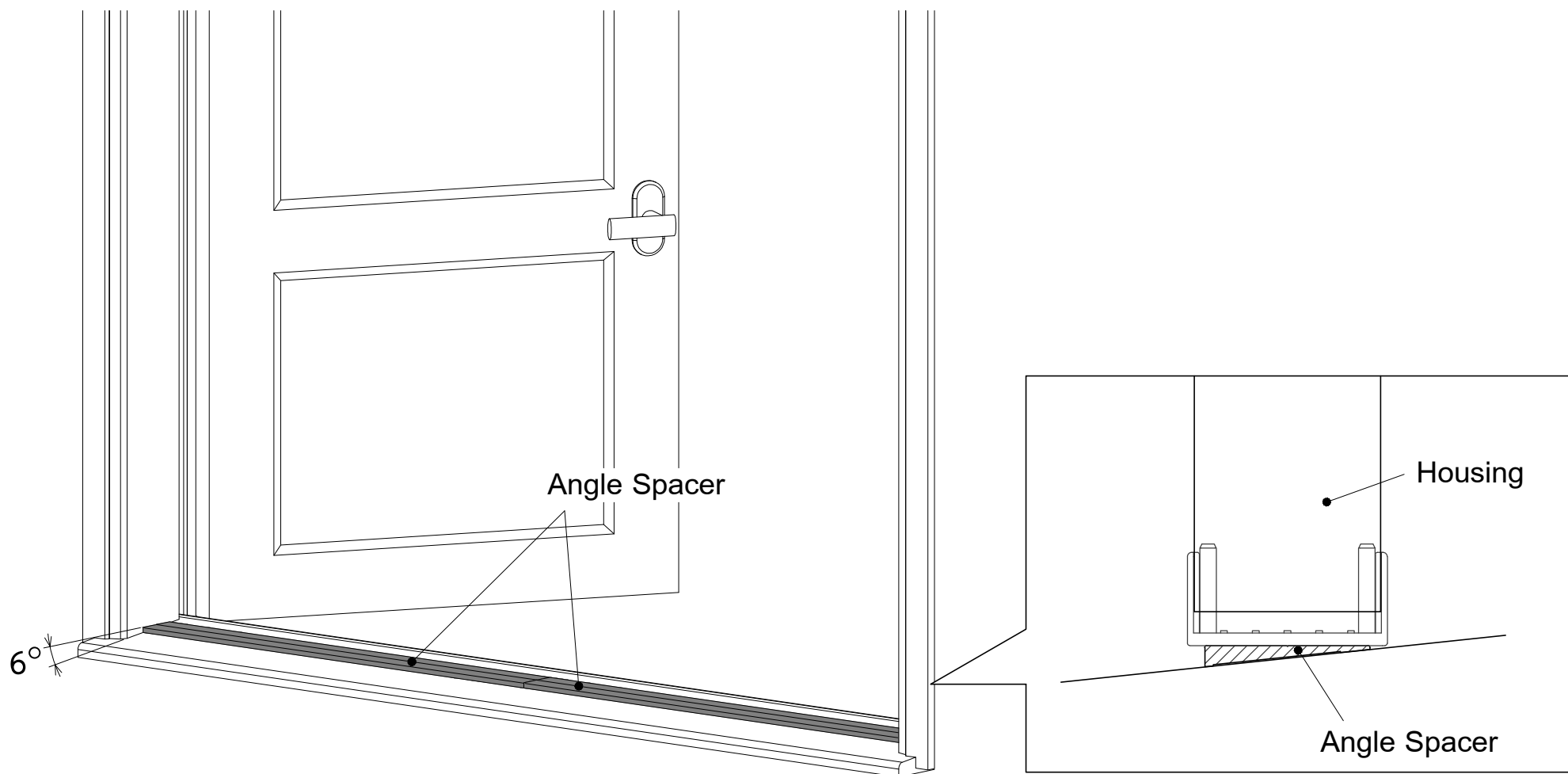


Fig. #4

4 Fix the Top / Bottom Rails at approx.1mm from the center mark (Fig.#5,#6).

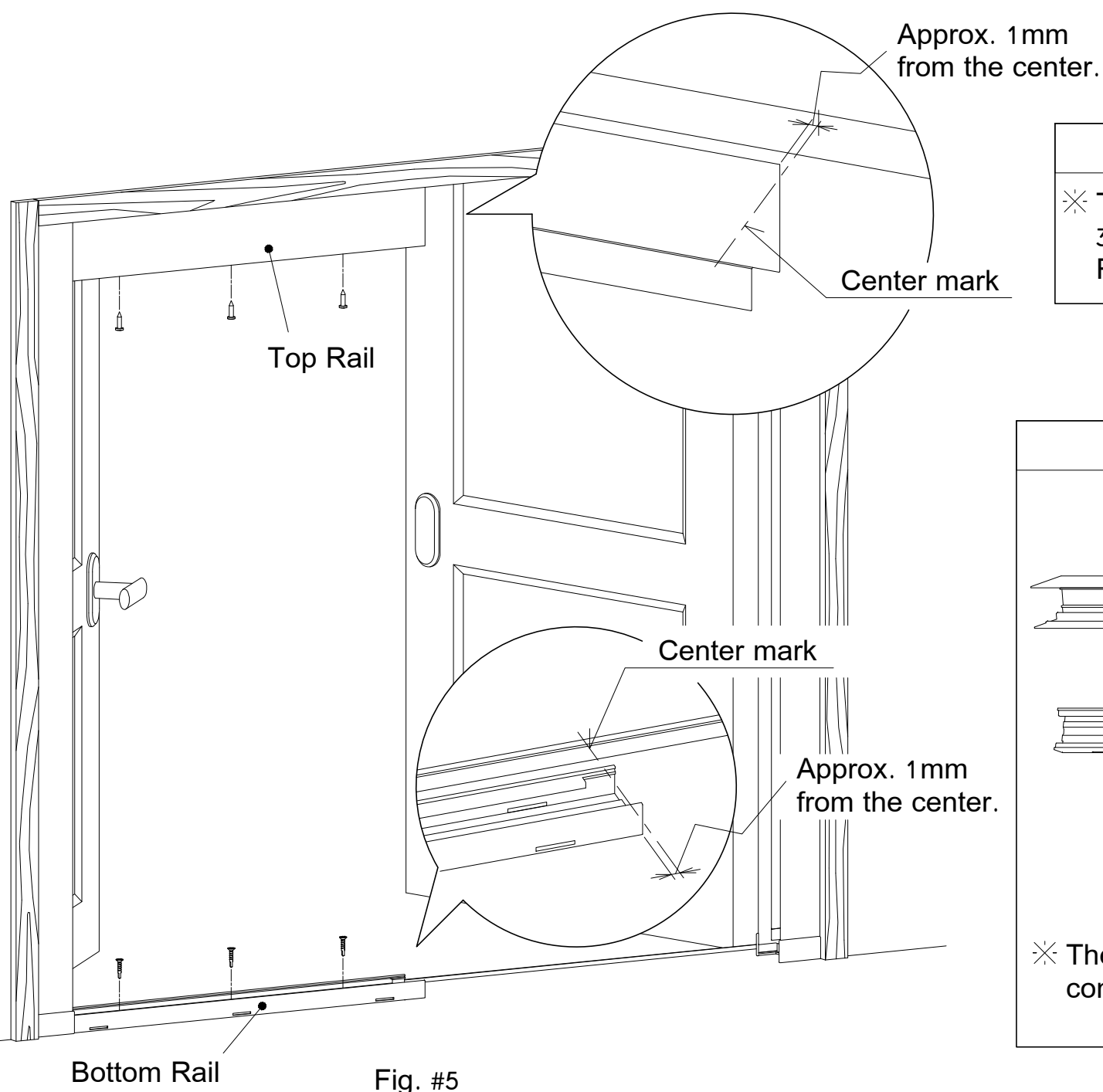


Fig. #5

Caution

※ Tips : In case of connecting more than 3 pcs of Top / Bottom Rails Refer to Annex [a].

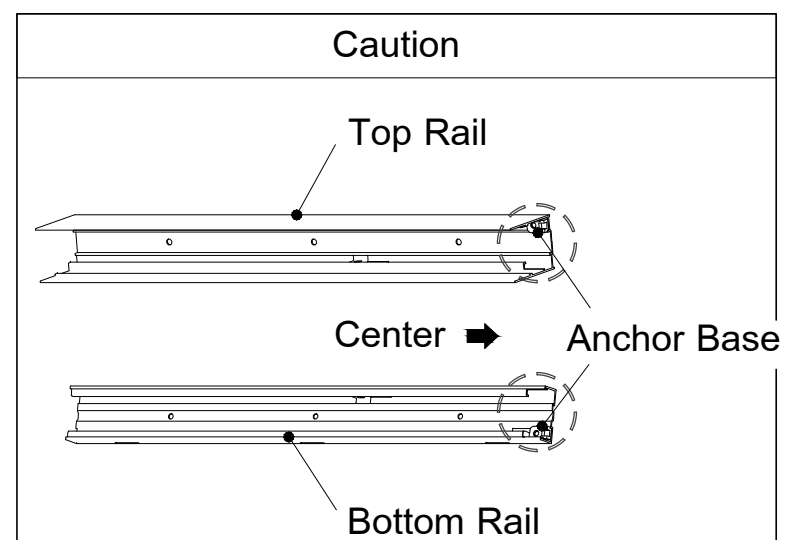
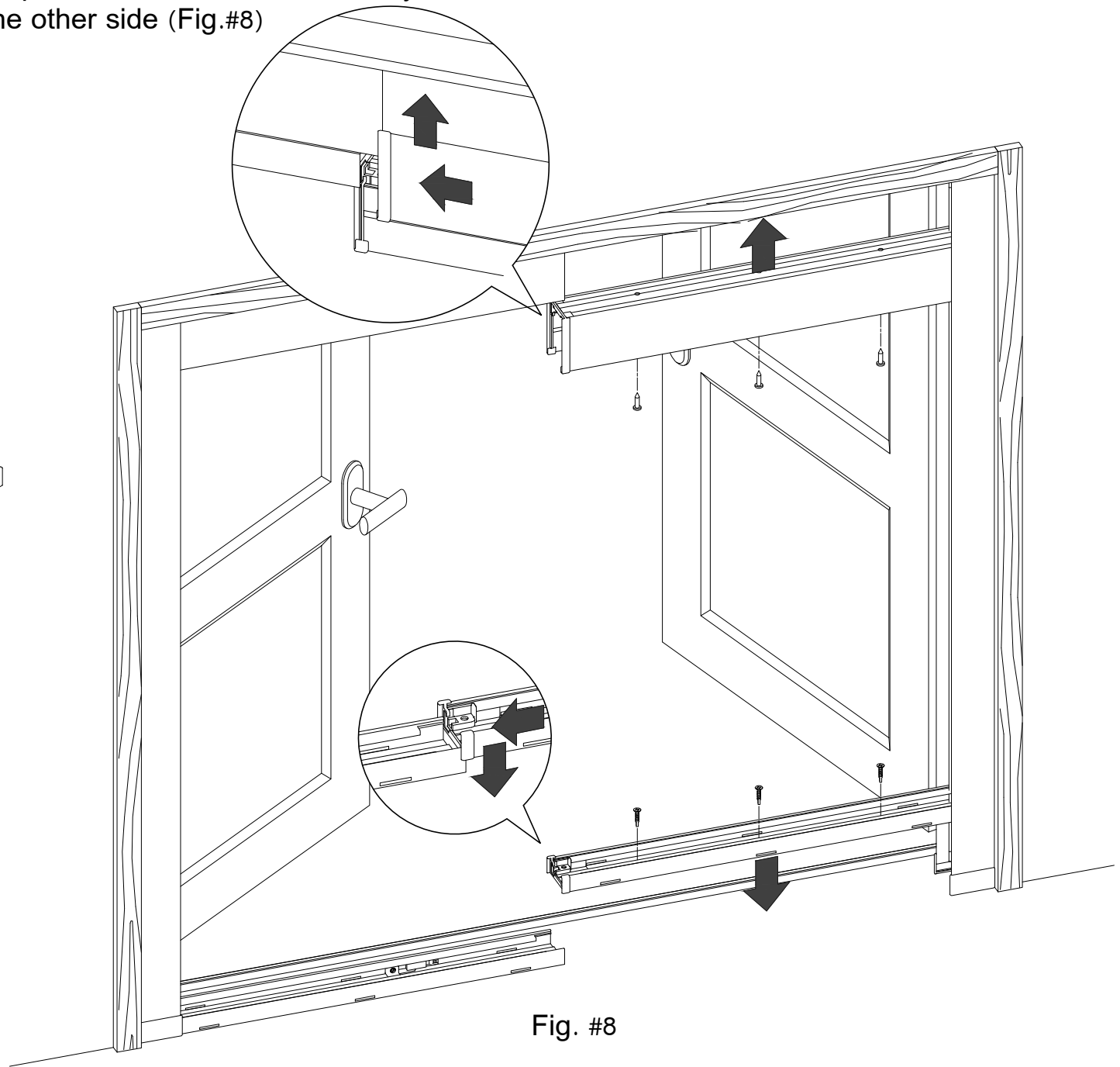
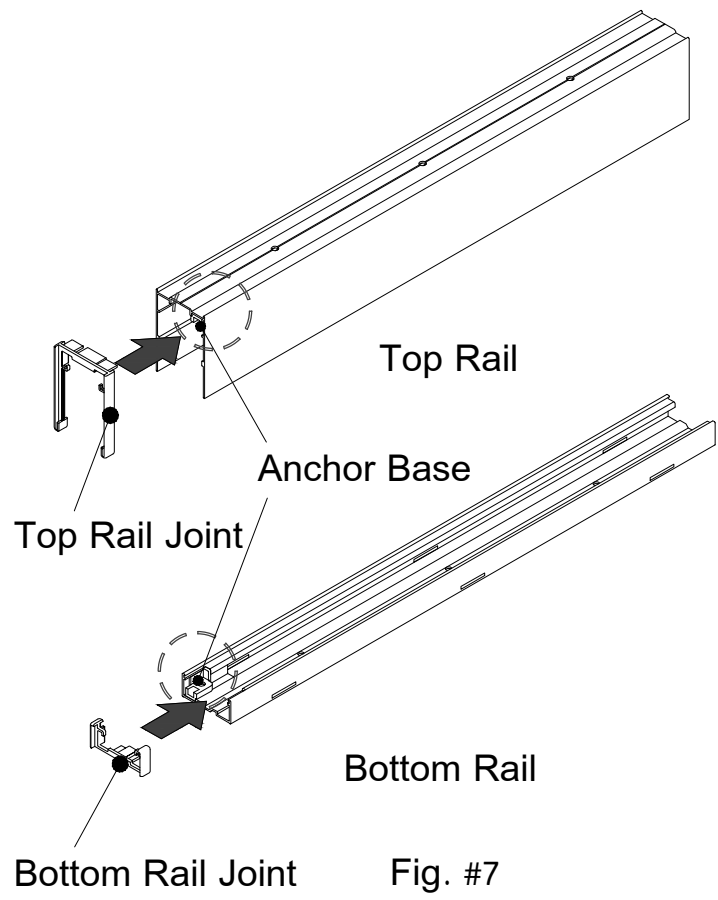


Fig. #6

※ The side with the Anchor Base must come to the center.

5 Insert the Top / Bottom Rail Joints on the side of the Top / Bottom Rails with the Anchor Bases (Fig.#7).

6 Connect the Top / Bottom Rails (with Top / Bottom Rail Joints) closely to the existing Top / Bottom Rails on the other side (Fig.#8)



- 7 Push the Screen Cartridge into the Housing until you hear the "click" sound, pay attention so the Sliding Bar won't fall down (Fig.#9, #10).
Fix another Screen Cartridge on the other side the same way.

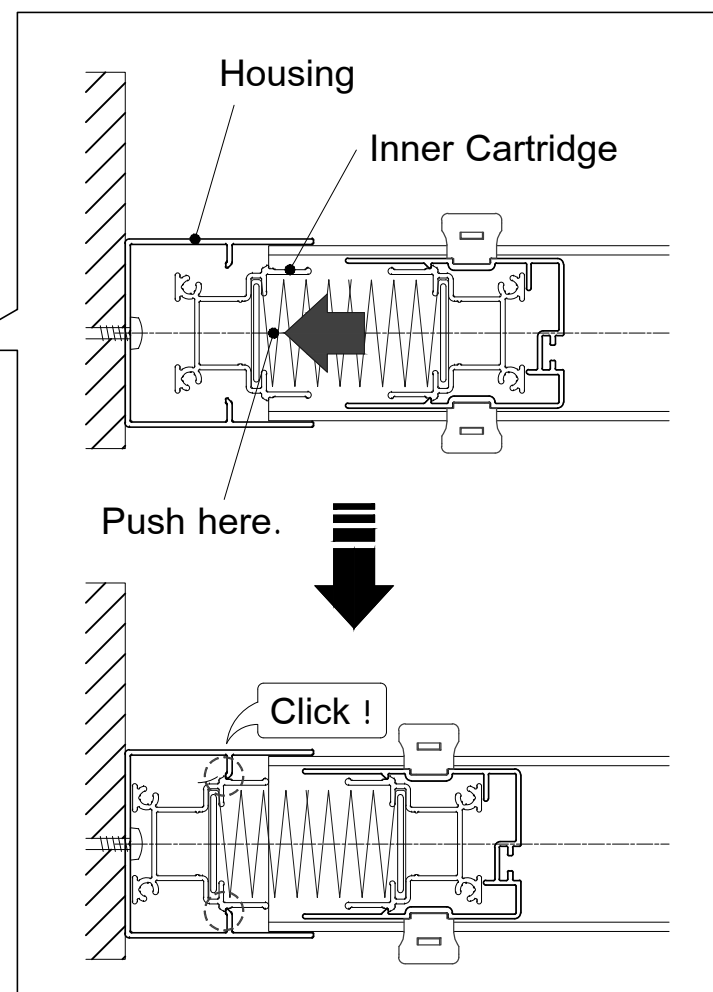
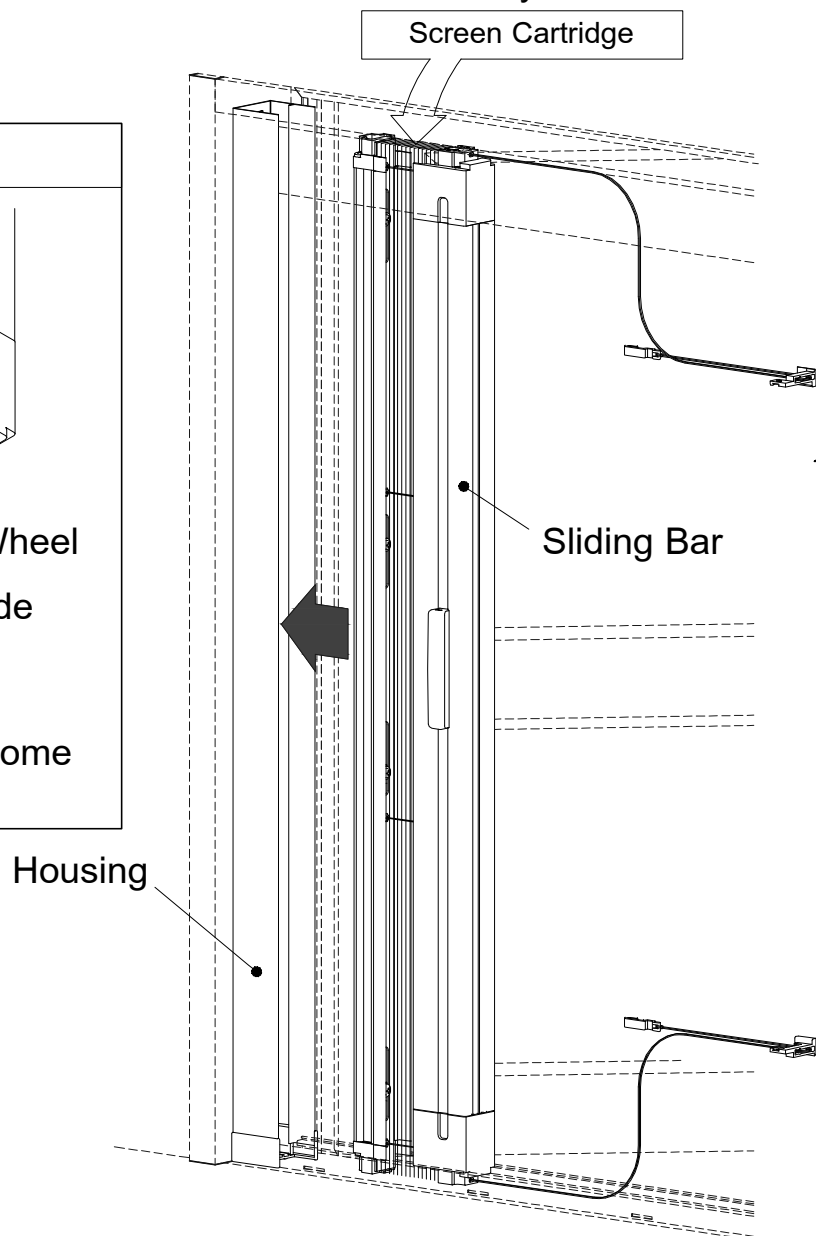
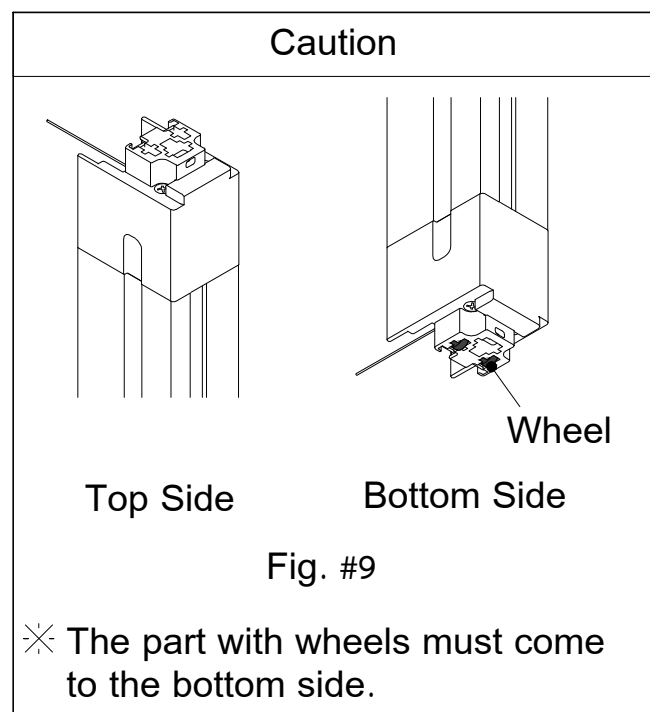


Fig. #10

- 8 Hook the Wire End Hook at the Wire End Adjuster, then fix the Wire Anchor at the center of the Bottom Rail with a screw (Fig.#11).
Do the same for the Top Rail.
And follow the same procedures for another Screen on the other side the same way.
But the front and back on this sketch should be the other way round.

※ This sketch demonstrates the case of the Bottom Rail, refer this to the case of doing the same procedures for the Top Rail.

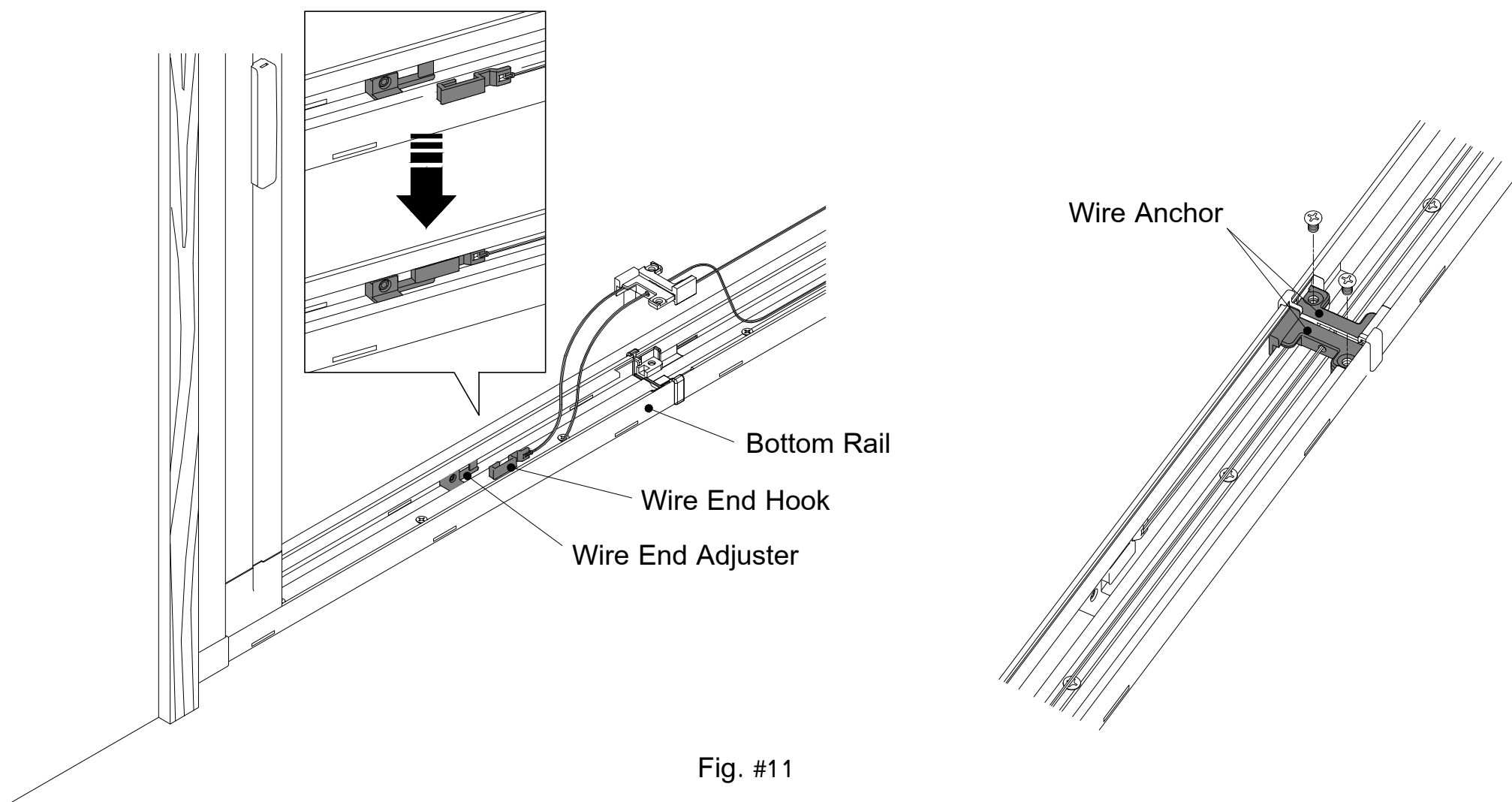


Fig. #11

- 9 Hook the Bottom Hooks on the bottom wire at equal intervals (Fig.#12, #13).
 Follow the same procedures for another Screen on the other side the same way.
 But the front and back on this sketch should be the other way round.

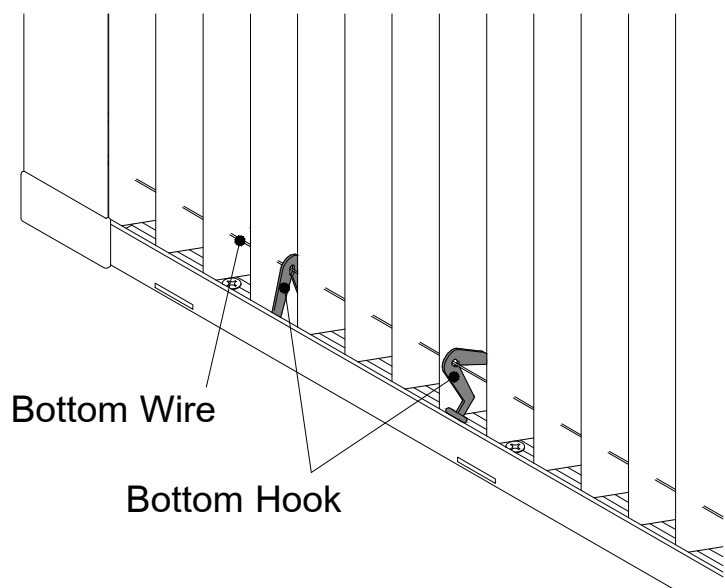


Fig. #12

Caution

Wire End Adjuster

Fig. #13

※ Fix the Bottom Hooks on the Bottom Wire but on the side different from where the Wire End Adjuster is already fixed.

- 10 Fix the Transition (Option) with the double sided tape on the exterior and interior sides along the Bottom Rail once the Screen Cartridge is confirmed to operate smoothly (Fig.#14).

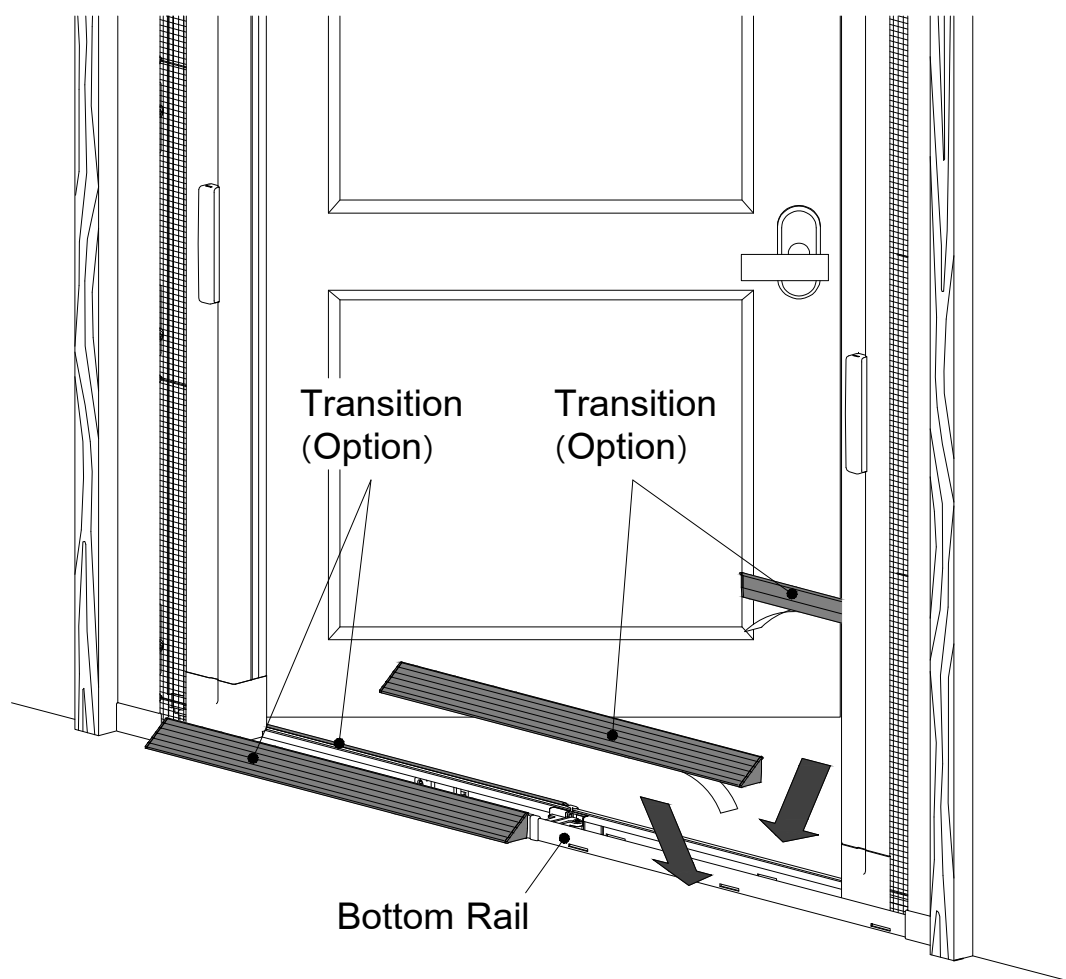
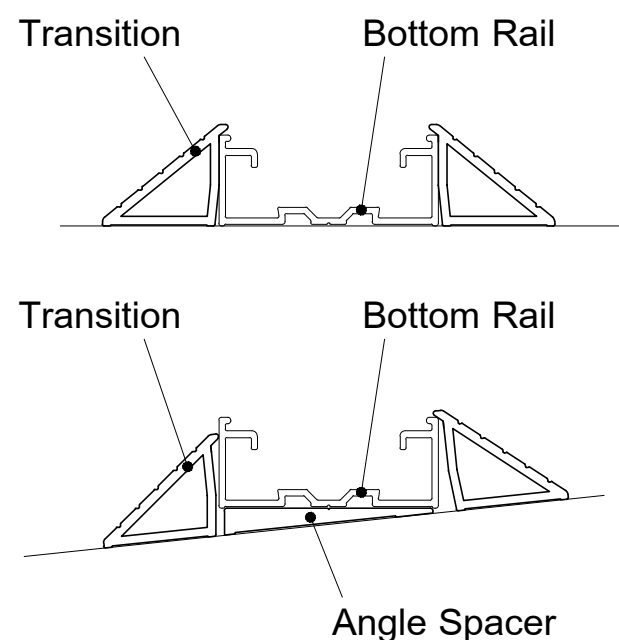


Fig. #14



- 11 Fit the Dust Cover (Option) over the Bottom Rail to avoid dust in winter time or in case the Screen is not used for some certain period of time (Fig.#15).

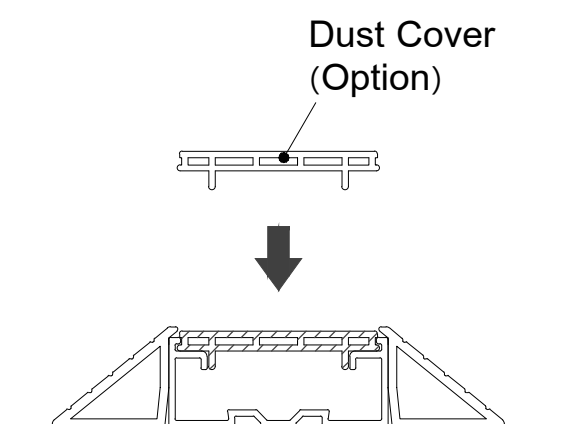
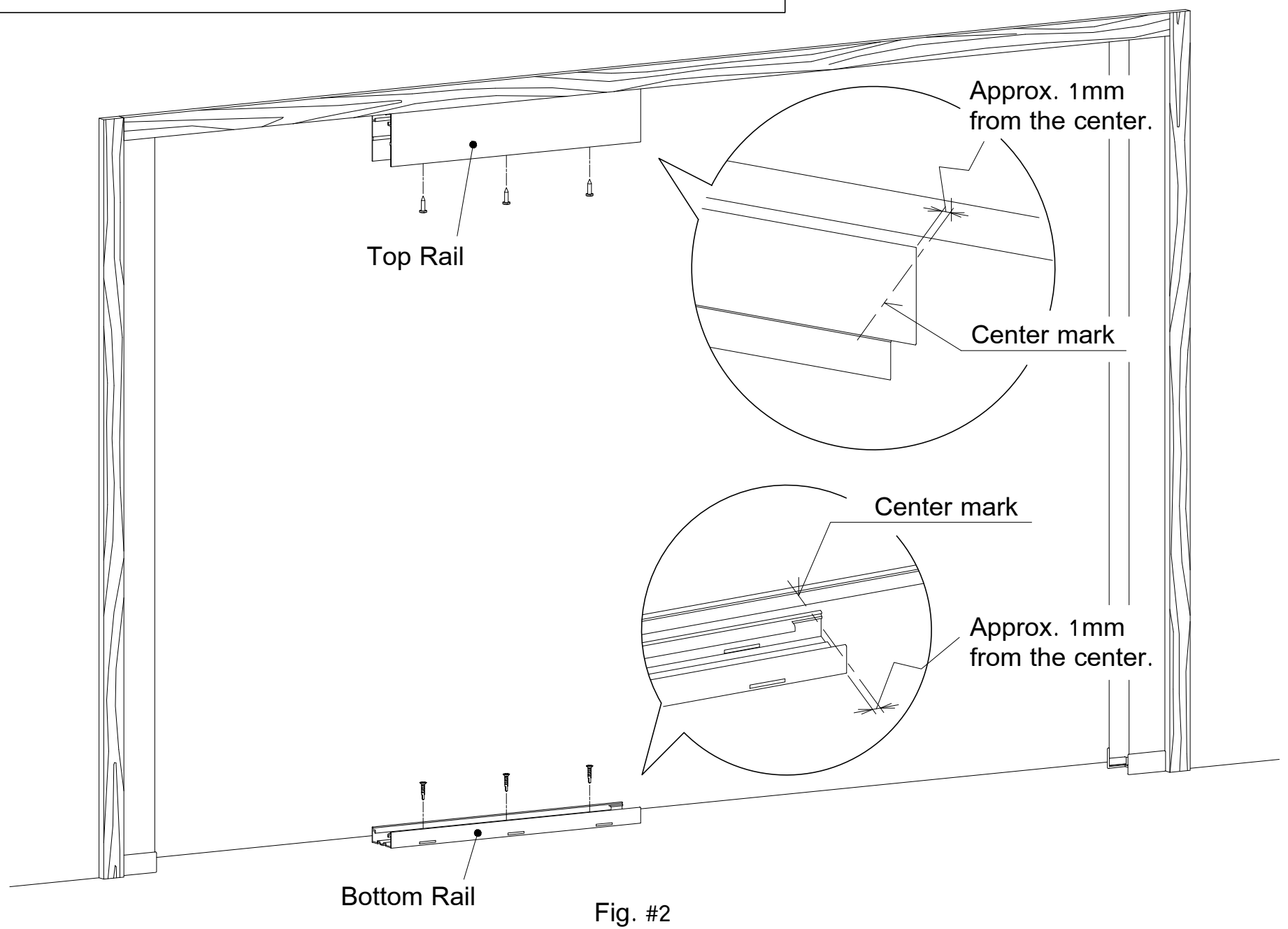
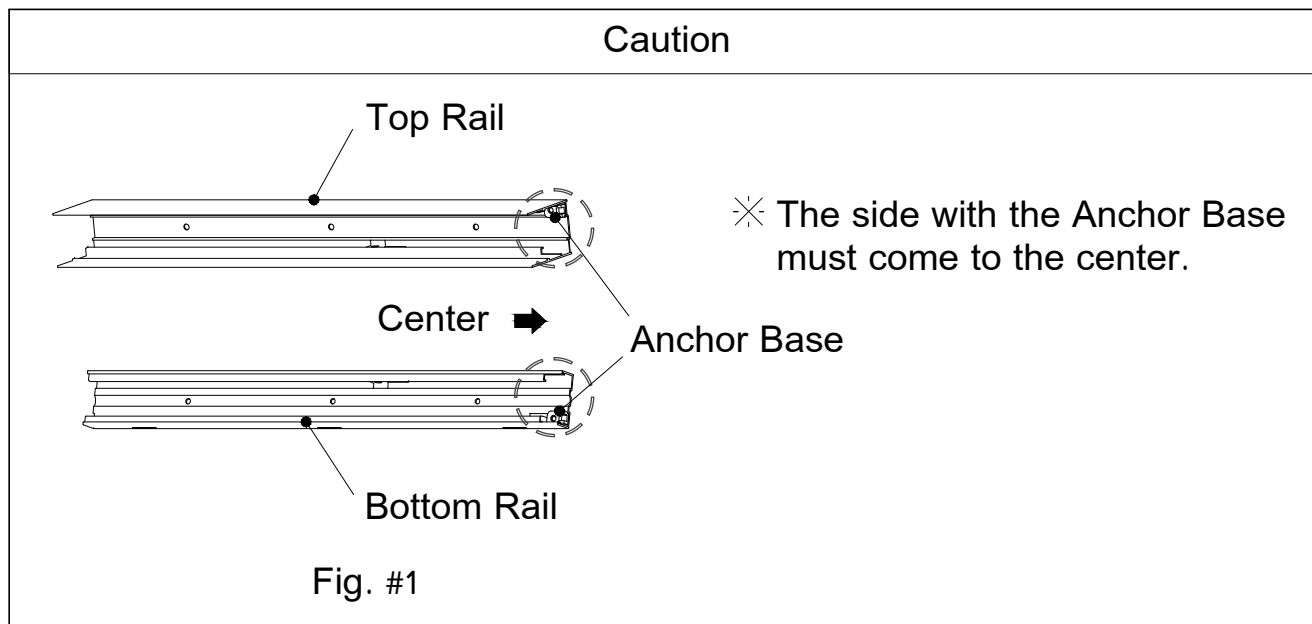


Fig. #15

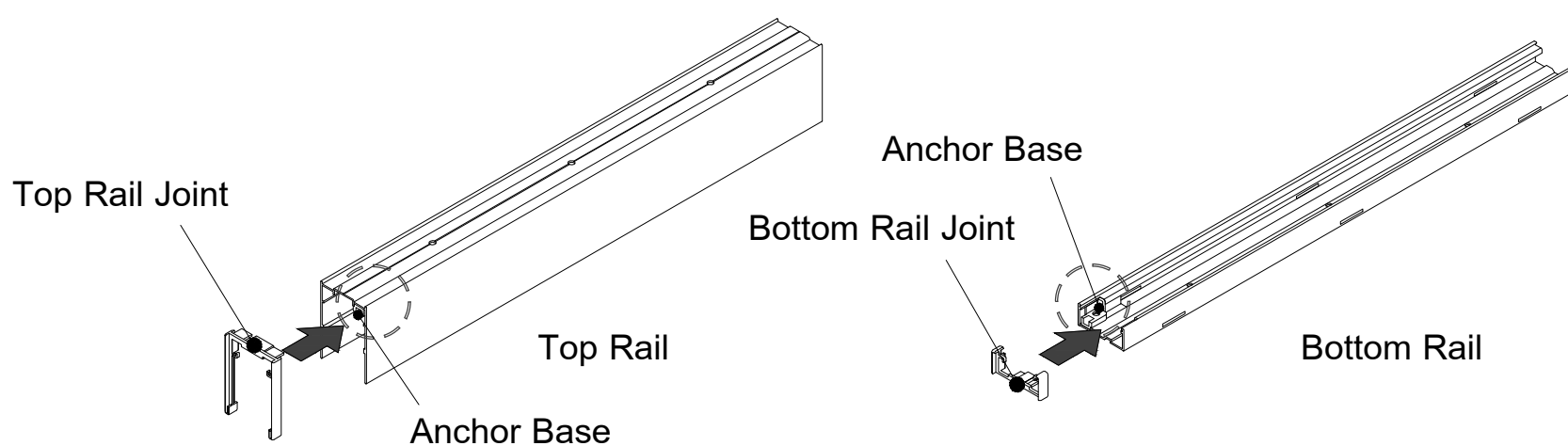
Tips for some cases

a) How to install / connect the Top / Bottom Rails in case of needing a few Rails

1. Fix the Top / Bottom Rails with the Anchor Bases at approx. 1 mm from the center mark (Fig.#1, #2).



2. Insert the Top / Bottom Rail Joints on the side of the Top / Bottom Rails with the Anchor Bases (Fig.#3).



3. Connect the Top / Bottom Rails (with Top / Bottom Rail Joints) closely to the Top / Bottom Rails (Fig.#4).

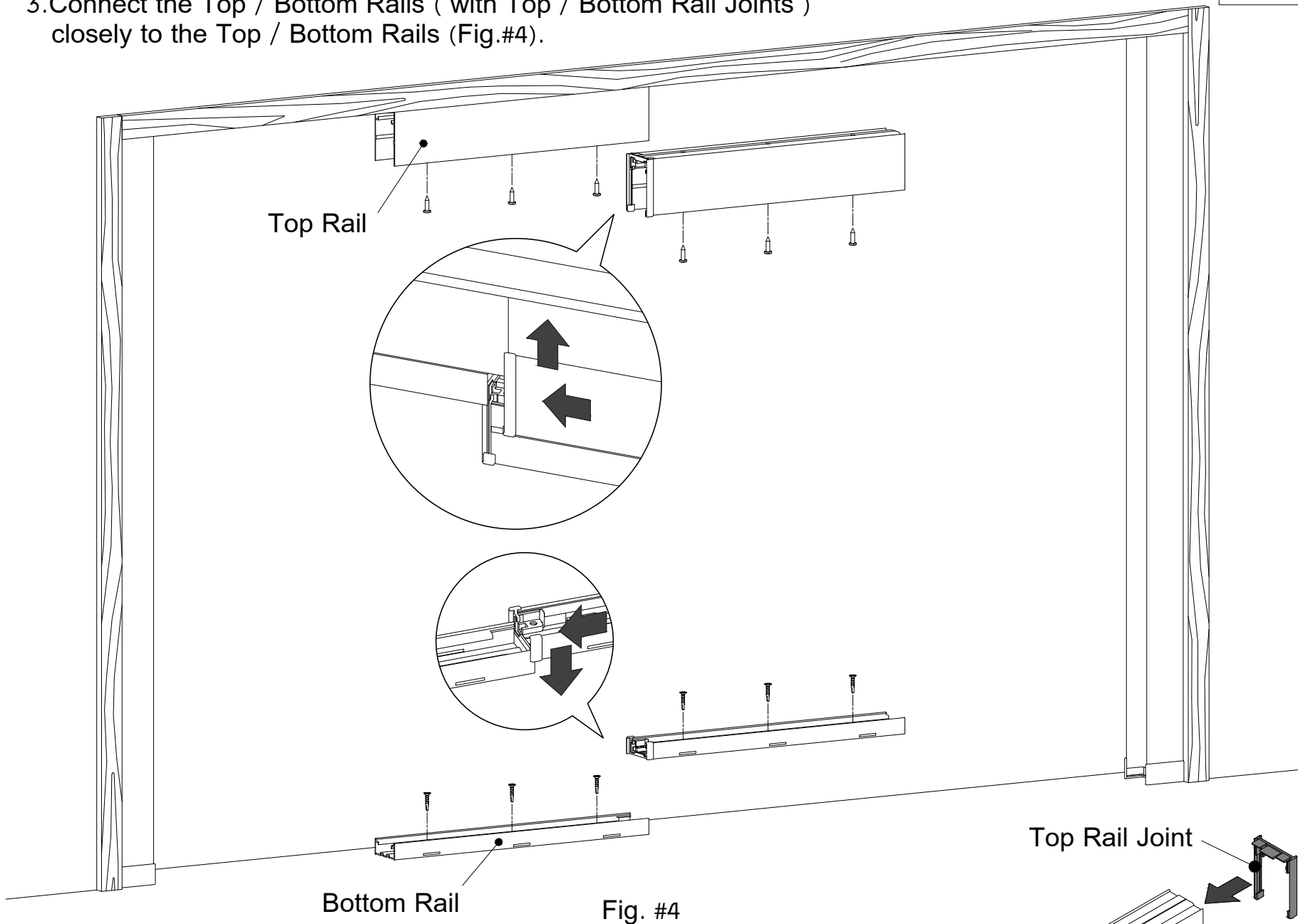


Fig. #4

4. Insert the Top / Bottom Rail Joints onto the remained Top / Bottom Rails (Fig.#5).
5. Connect the Top / Bottom Rails (with Top / Bottom Rail Joints) closely to the existing Top / Bottom Rails on the other side (Fig.#6).
6. Insert the Top / Bottom Rail Joints onto the remained Top / Bottom Rails.
7. Connect the Top / Bottom Rails (with Top / Bottom Rail Joints) closely to the Top / Bottom Rails (Fig.#7).

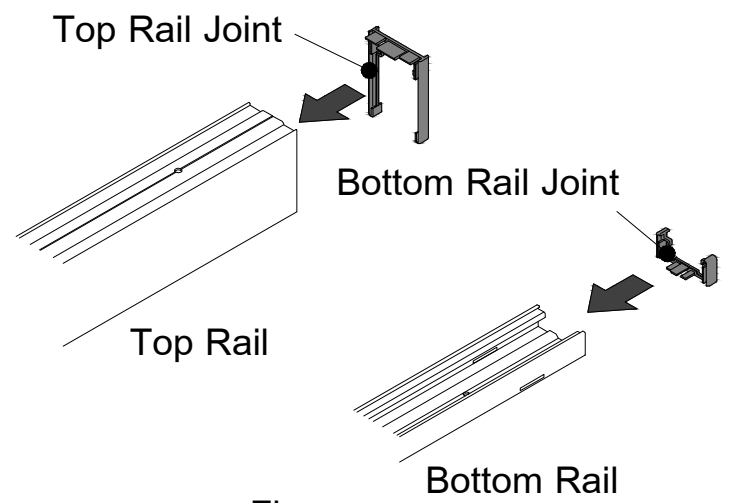


Fig. #5

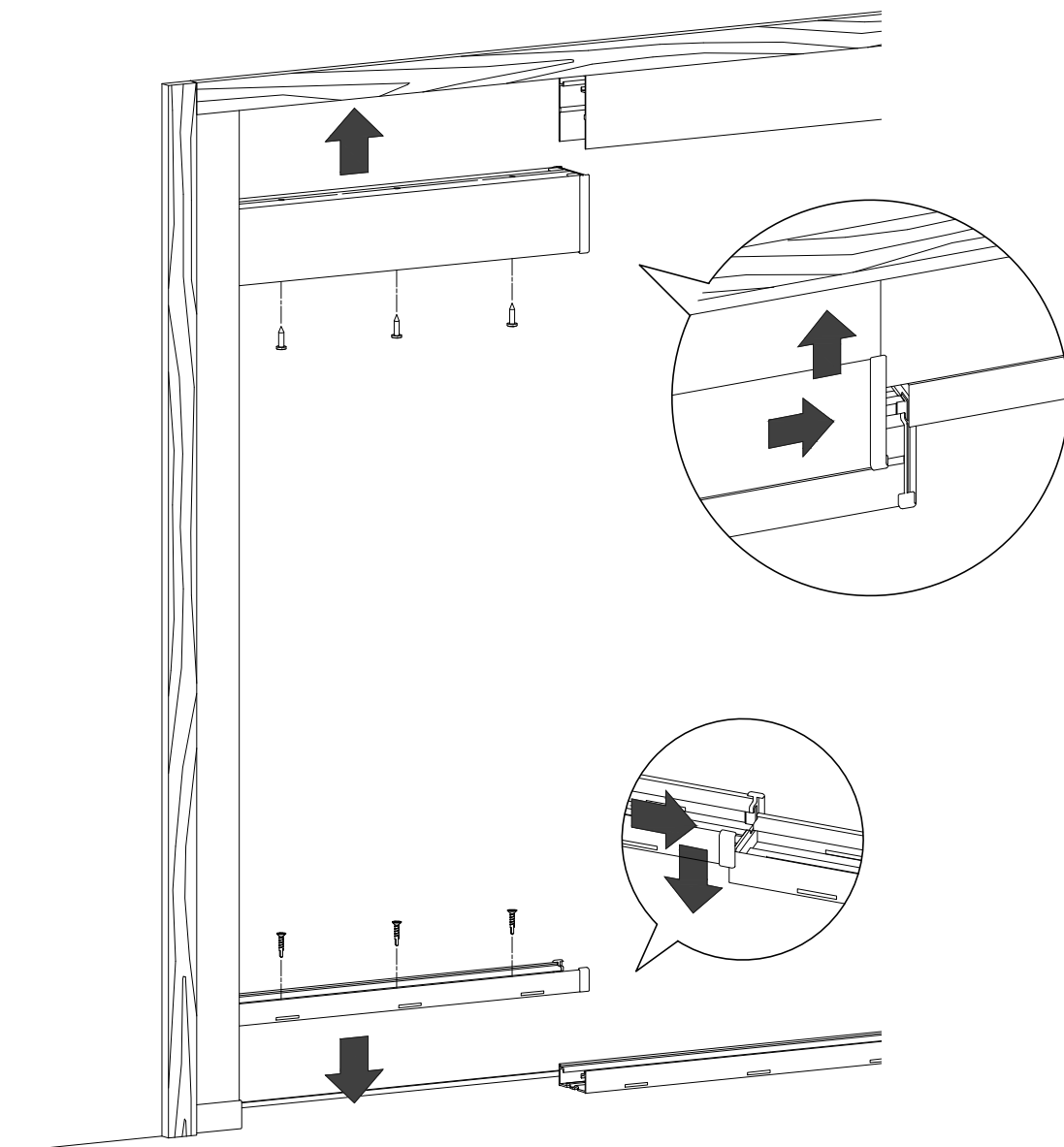


Fig. #6

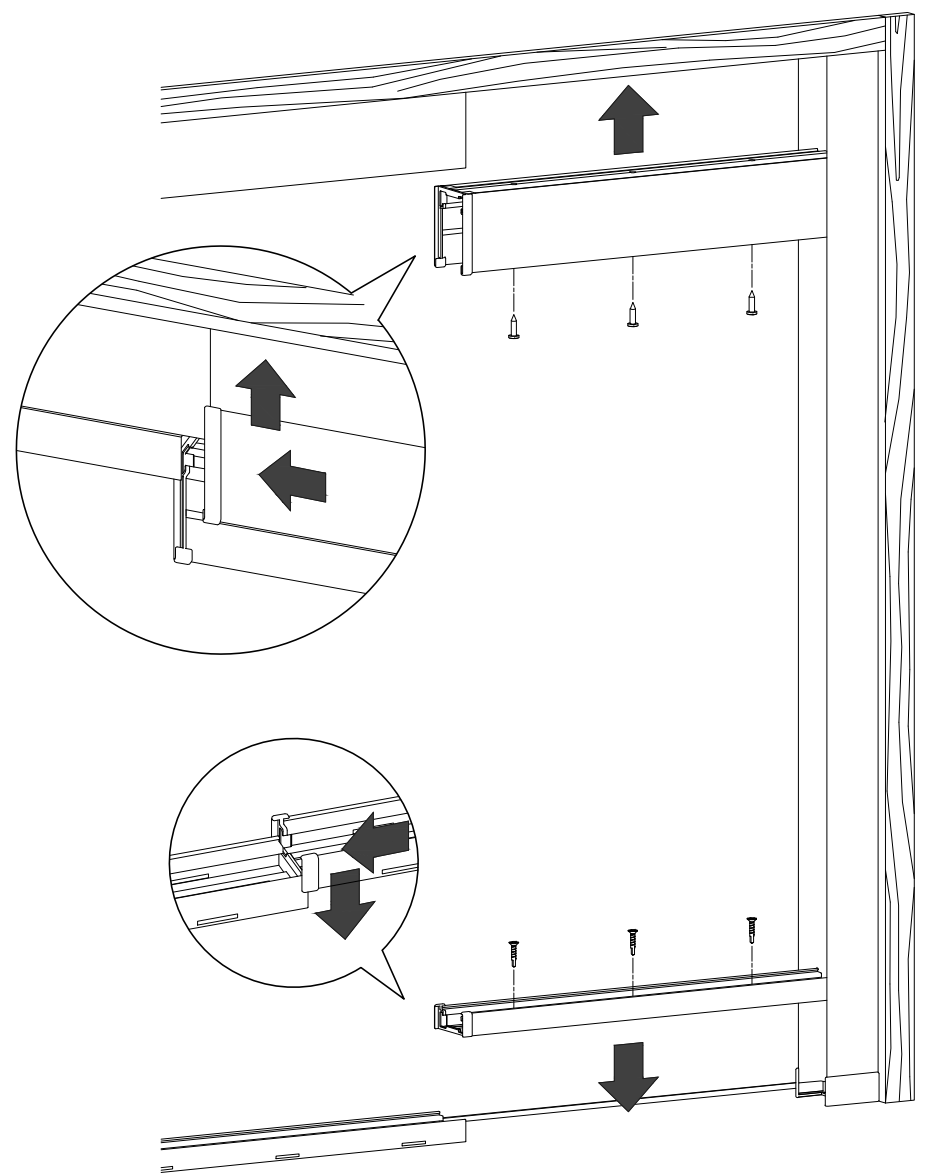


Fig. #7

b How to adjust the Wire tension

In case the tension of the Wire is too strong, or too weak, move the Wire End Adjusters to adjust the tension of the Wire (Fig.#8, #9).

1. Turn the screw at the Wire End Adjuster counterclockwise with the Hexagon Wrench.
2. Stretch the End Adjusters equally so the tension of the Wire becomes just right and the Sliding Bar sits vertically (Fig.#9, #10).
3. Turn the screw at the Wire End Adjuster clockwise with the Hexagon Wrench to fix (Fig.#8).

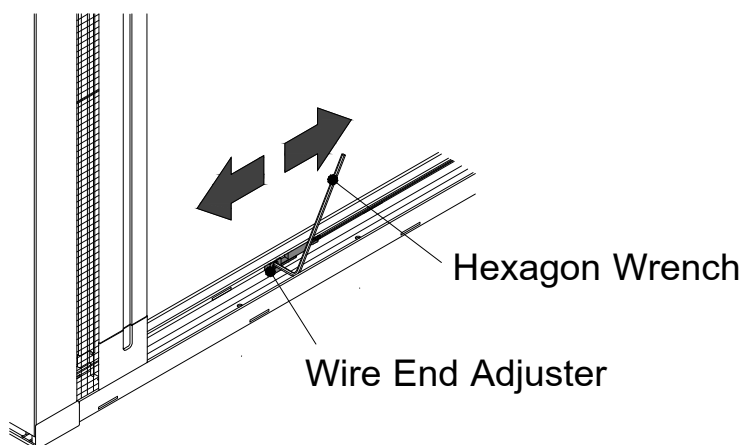
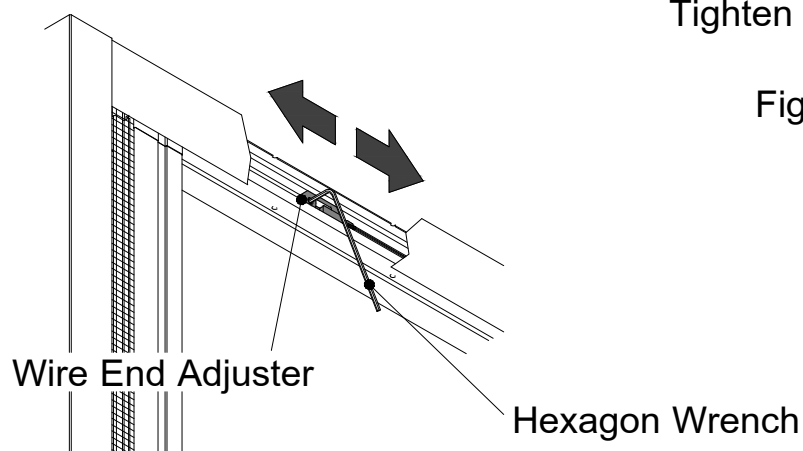
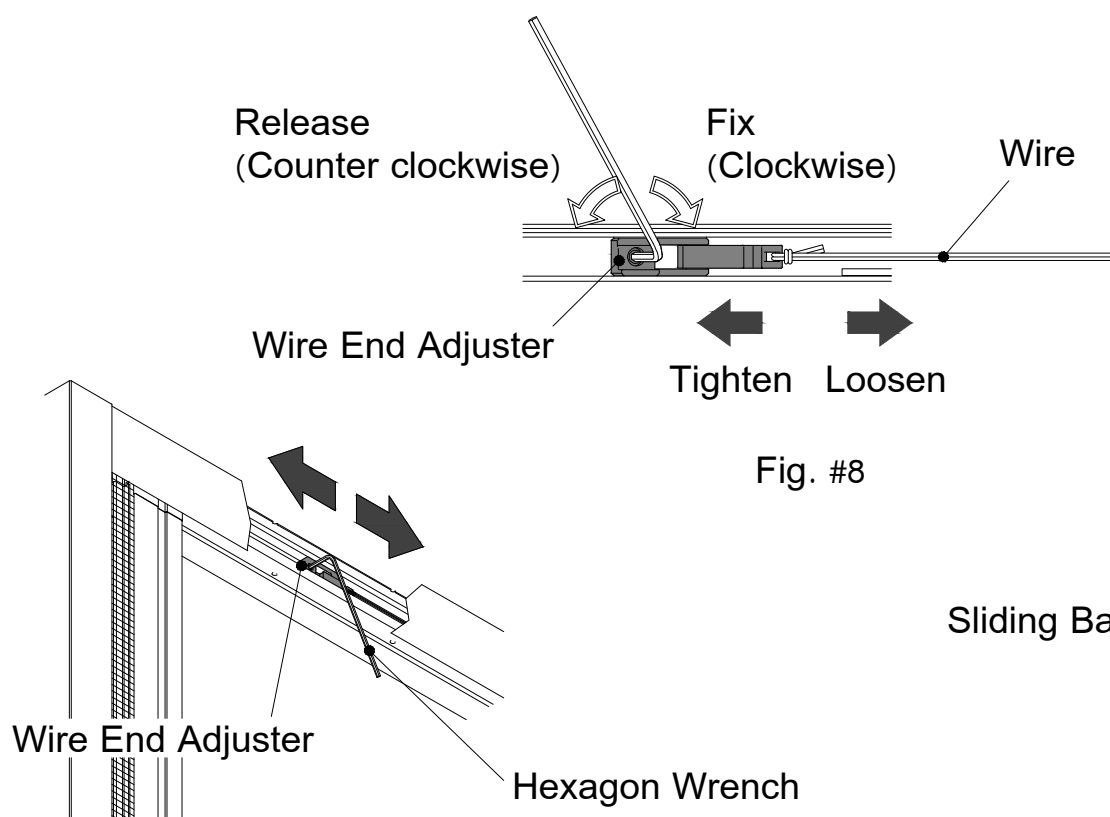


Fig. #9

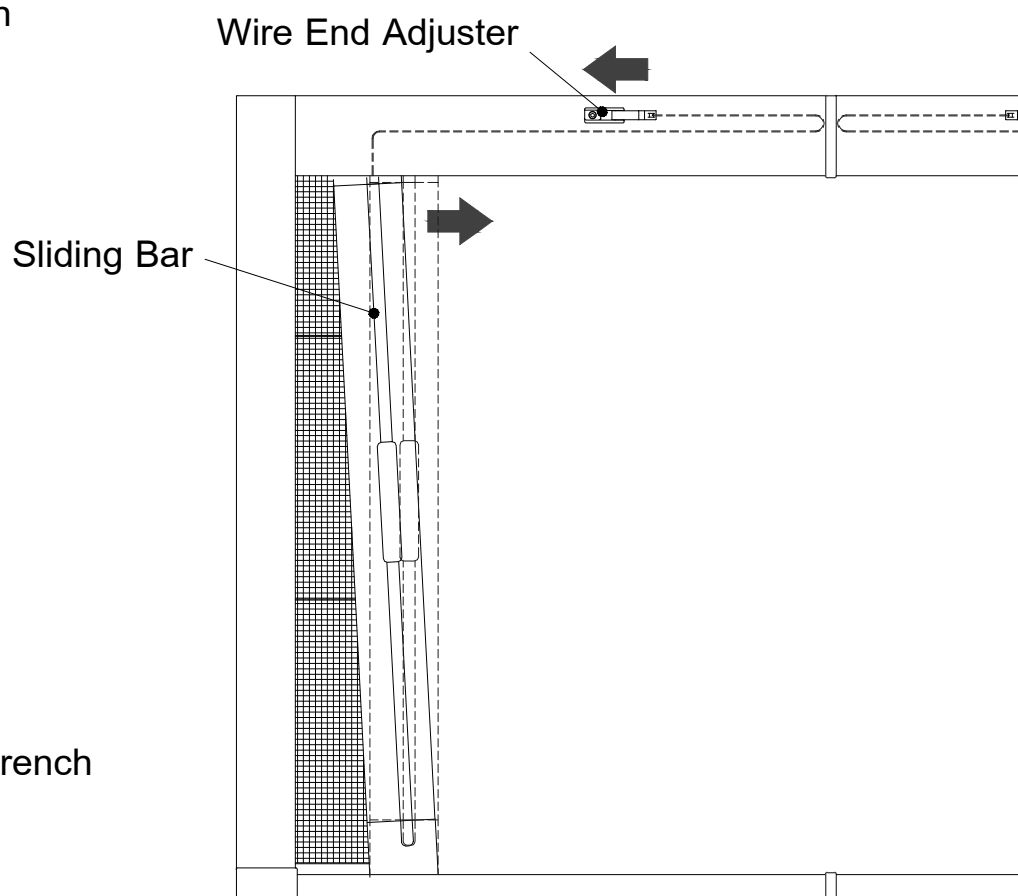


Fig. #10

✘ These sketches show the procedures for the Screen on the left side.

✘ This sketch talks about the Screen on the left side.

c How to remove the Screen Cartridge

In case you need to detach the Screen Cartridge, pull the part of the Inner Cartridge with the "Needle Nose Pliers".

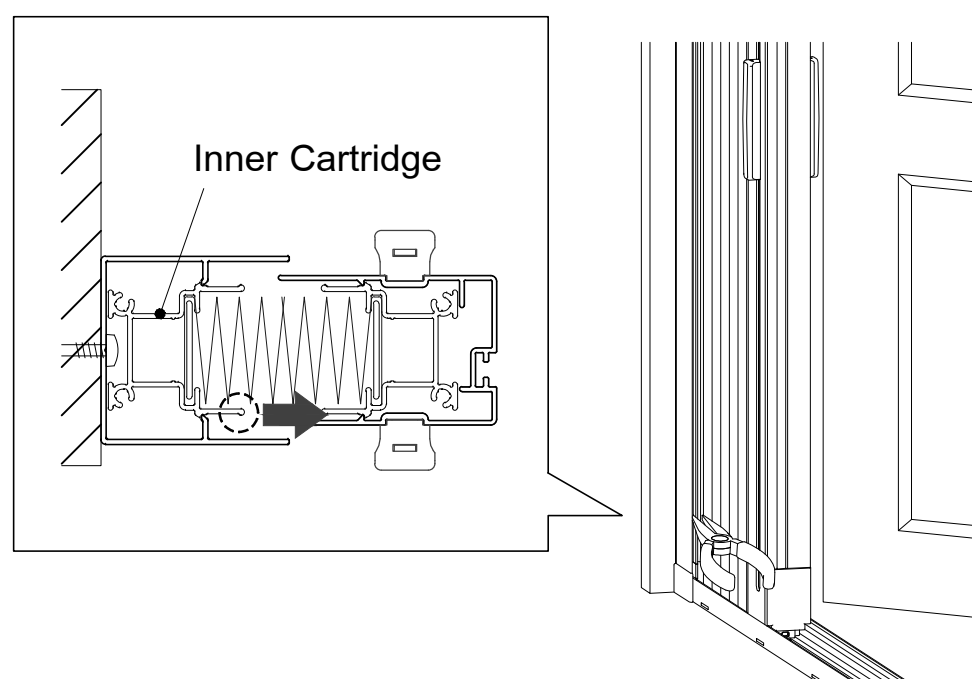


Fig. #11

d How to install the Sliding Bar Holder

The Sliding Bar Holder is a part that holds the Sliding Bar at a certain position when the mesh structured in the Sliding Bar is retracted. Remove the backing of Sliding Bar Holder and stick onto the Bottom Rail (Fig.#12, #13).

※ The Sliding Bar Holder can be installed at any designated position at the Bottom Rail if necessary (Fig.#14).

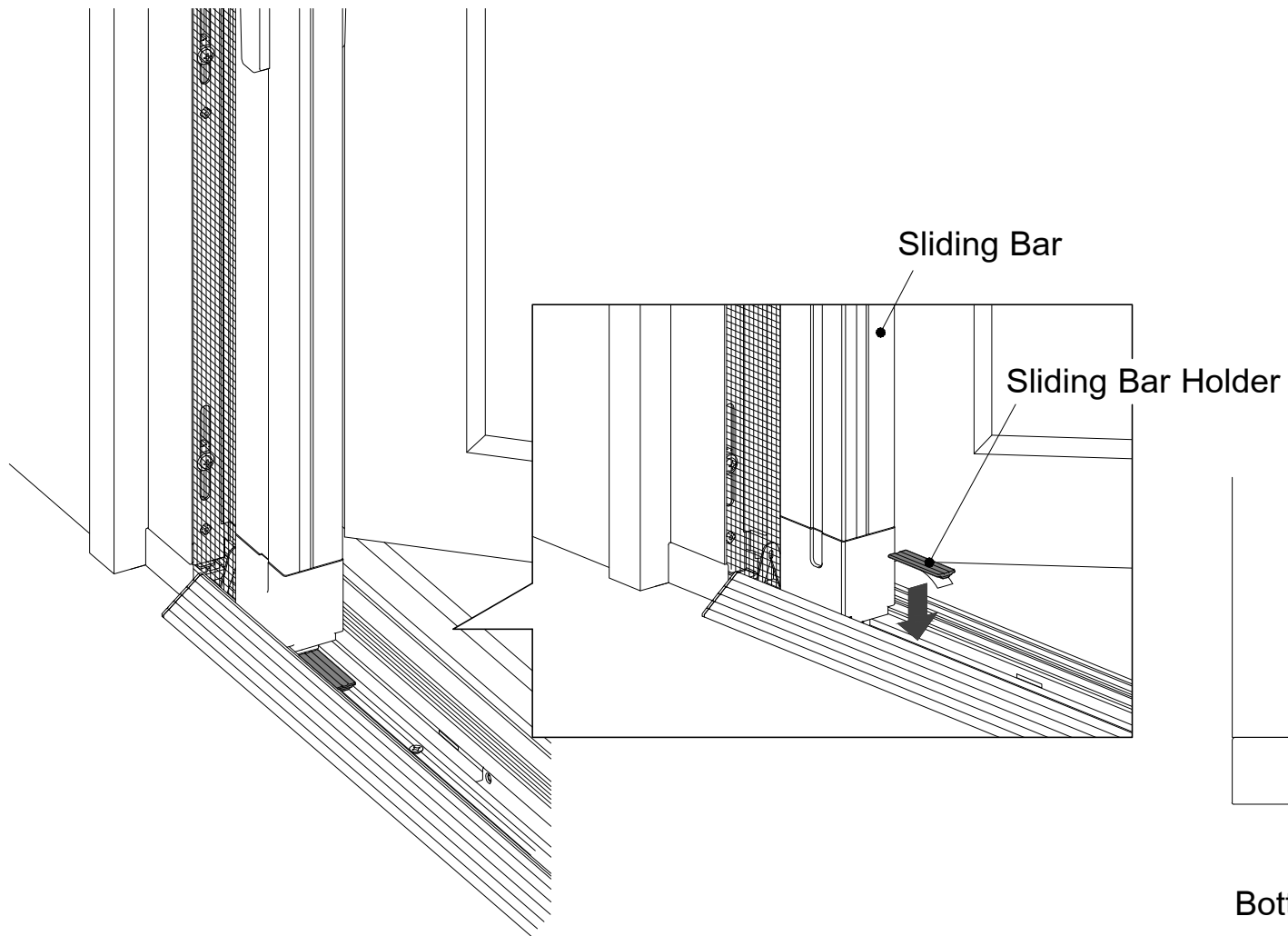


Fig. #12

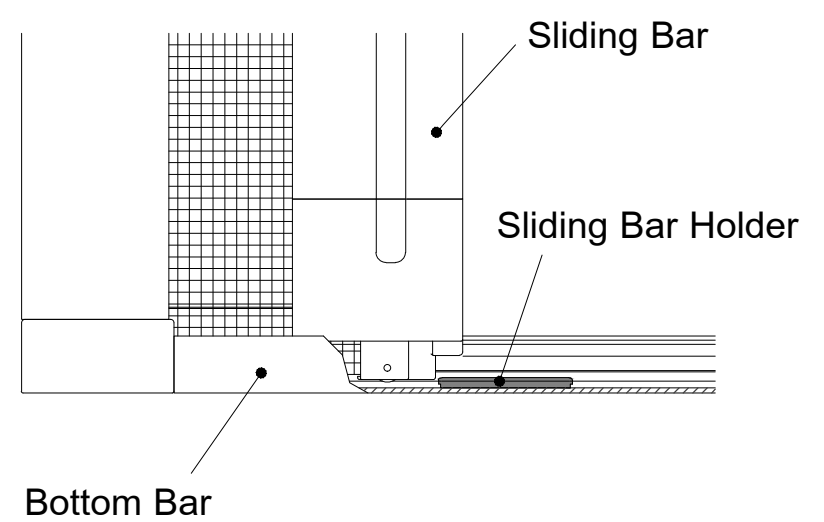


Fig. #13

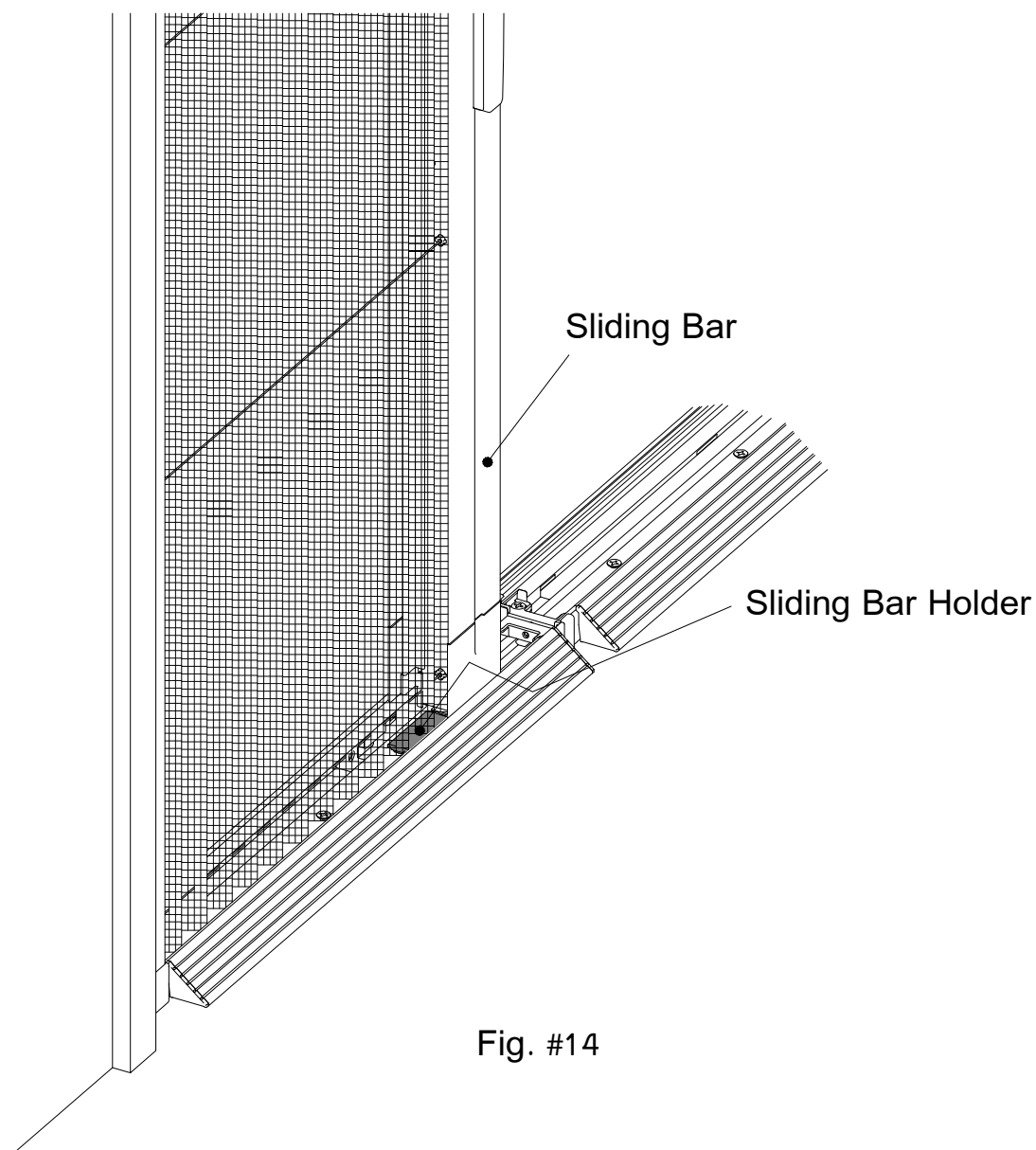


Fig. #14