

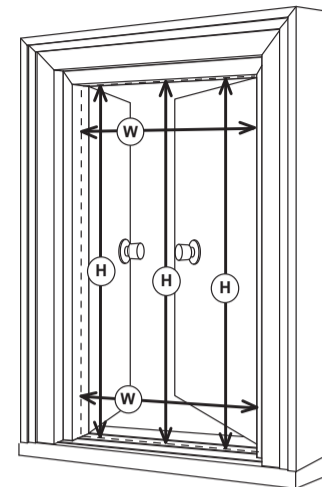
- Thank you for purchasing the Retractable Screen (Double Sliding Panel).
- Read this instruction carefully before cutting the components.

Measuring the Frame

Measure the inside dimensions of the frame where the screen will be installed onto. Keep in mind there must be a minimum of 1 3/4" (45mm) of flat surface on the frame for install of the screen.

Inner dimensions of the Frame

| Width (W) | Height (H) |
|-----------|------------|
| | |



Calculating Dimensions of the Components

Apply the appropriate dimension from above, in each of the applicable formula boxes below, (width or height).

- Calculation for cutting the Top Rail

$$\text{Width (W)} \quad [\text{Cut to this length}]$$

$$([\quad] / 2) - 1/4" (6 \text{ mm}) = [\quad]$$

- Calculation for cutting the Main Screen Cartridge

$$\text{Height (H)} \quad [\text{Cut to this length}]$$

$$[\quad] - 1" (25 \text{ mm}) = [\quad]$$

- Calculation for cutting the Top Rail Inner Guide

$$\text{Width (W)} \quad [\text{Cut to this length}]$$

$$([\quad] / 2) - 1/2" (13 \text{ mm}) = [\quad]$$

- Calculation for cutting the Sliding Bar Cover

$$\text{Height (H)} \quad [\text{Cut to this length}]$$

$$[\quad] - 2" (51 \text{ mm}) = [\quad]$$

- Calculation for cutting the Bottom Rail

$$\text{Width (W)} \quad [\text{Cut to this length}]$$

$$([\quad] / 2) - 1/4" (6 \text{ mm}) = [\quad]$$

- Calculation for cutting the Main Screen Cartridge Cover

$$\text{Height (H)} \quad [\text{Cut to this length}]$$

$$[\quad] - 1" (25 \text{ mm}) = [\quad]$$

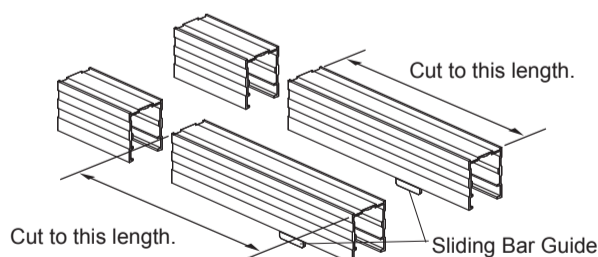
Caution

- Be reminded that the maximum cut down to the vertical components cannot exceed 11 3/4" (300 mm).
- The maximum cut down to the horizontal components cannot exceed 15 3/4" (400 mm).
- When the plastic parts and the Magnet Strips on the Sliding Bar Cover are removed, reinstall them before cutting procedures.

Cutting the Components

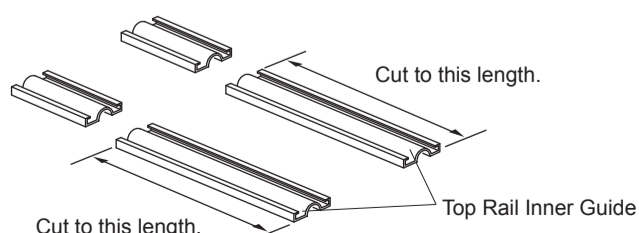
1 Cutting the Top Rails

- (1) With End Caps removed, measuring FROM the end of the Top Rail closest to the Sliding Bar Guide, make a mark on the Top Rail from the formula box above.
- (2) Cut each Top Rail straight along the mark.



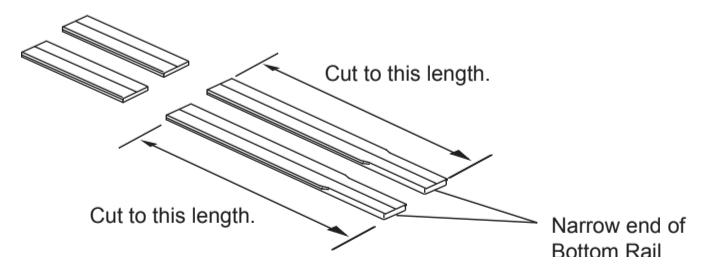
2 Cutting the Top Rails Inner Guide

- (1) Measure and place a mark at the position calculated in the formula box above from either end of the Top Rail Inner Guide.
- (2) Cut each Top Rail Inner Guide straight along the mark.



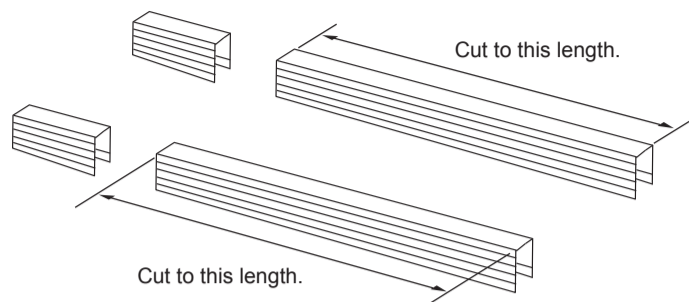
3 Cutting the Bottom Rail

- Cutting the Bottom Rails
- (1) Measuring FROM the narrow end of the Bottom Rail, make a mark on the Bottom Rail from the formula box above.
 - (2) Cut each Bottom Rail straight along the mark.



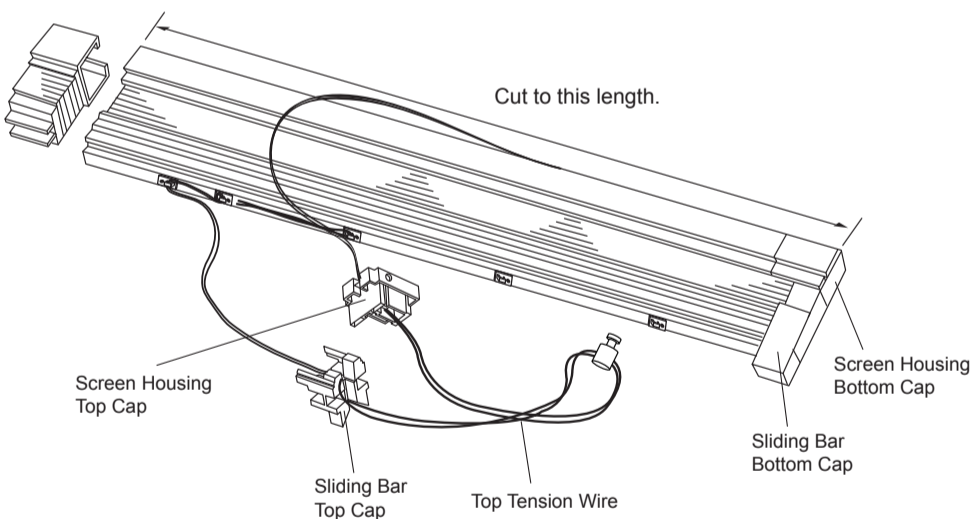
4 Cutting the Main Screen Cartridge Covers

- (1) Measuring from either end of the Main Screen Cartridge Cover, make a mark from the corresponding formula box on the previous page.
- (2) Cut each Main Screen Cartridge Cover straight along the mark.



5 Cutting the Main Screen Cartridges

- (1) Remove Screen Housing Top Cap and set aside.
Note: Care should be taken NOT to tangle the Tension Wires.
- (2) Remove Sliding Bar Top Cap and set aside.
Note: Care should be taken NOT to tangle the Tension Wires.
- (3) Move the Top Tension Wire downward to clear the Wire from the cutting position.
- (4) Aligned all components at the top of the Main Screen Cartridge, where the Top Caps were removed, measure FROM the opposite end of the Main Screen Cartridge, (from the bottom of the Screen Housing Bottom Cap), make a mark from the corresponding formula box on the previous page.
- (5) Before cutting, once again be certain that all components of the Main Screen Cartridge are aligned at the top.
- (6) Cut the Main Screen Cartridge straight along the mark.
- (7) Particles and burrs should be removed prior to proceeding.
- (8) Return the Screen Housing Top Cap to the top of the Screen Housing.
Careful not to tangle/pinch the tension wires, and that they are oriented out the top facing the leading edge of the Sliding Bar.
- (9) Return the Sliding Bar Top Cap to the top of the Sliding Bar. Careful not to tangle/pinch the tension wires, and that they are oriented out the top facing the leading edge of the Sliding Bar.



6 Cutting the Sliding Bar Covers

- (1) Measuring FROM the opposite end from where the Anti-Lift Stop is installed, make a mark from the corresponding formula box on the previous page.
- (2) Cut each Sliding Bar Cover straight along the mark.

