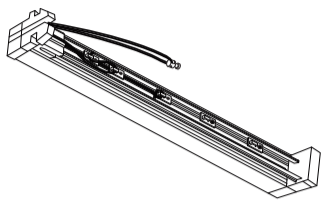

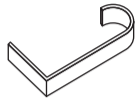



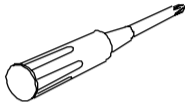

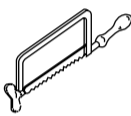



Parts List

The following parts are included with your Replacement Main Screen Cartridge:

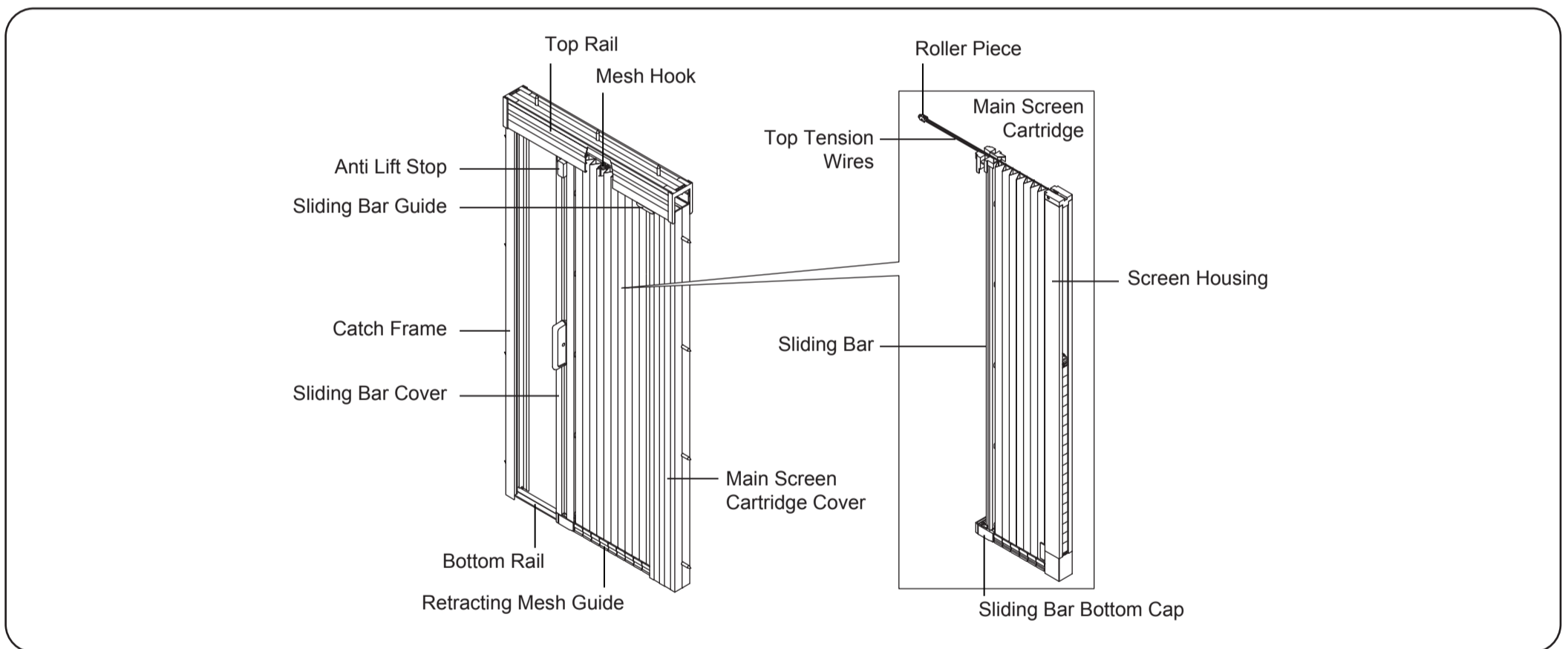
<p>Main Screen Cartridge x 1</p> 	<p>Mesh Hooks x 5</p> 	<p>Screen Cartridge Remover x 1</p> 
--	---	---

Make sure you have all the Tools Required (not included)

<p>Metal File</p> 	<p>Measuring Tape</p> 	<p>Safety Glasses</p> 	<p>Philips Screwdriver</p> 
<p>Electric Drill</p> 	<p>Hack Saw</p> 	<p>Pen</p> 	

Screen Components

Note; Catch Frame is not included for Double Door Screens.

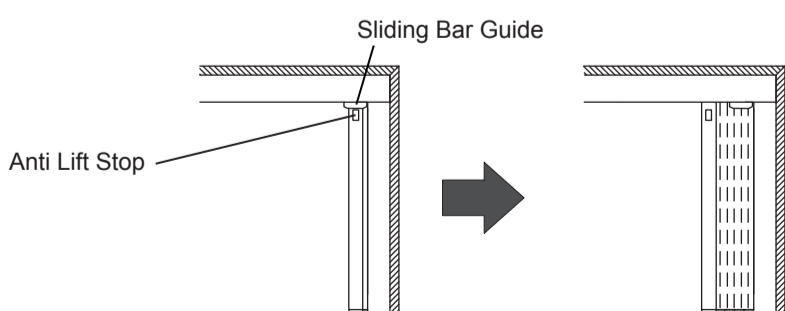


Replacement Procedure

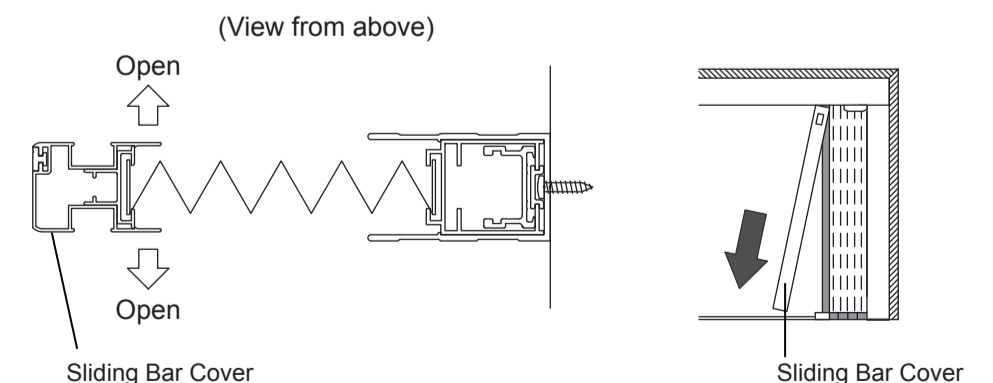
This manual depicts the screen installing on the right of the opening, reverse the procedure for a left mount.

1 Removing the Sliding Bar Cover

(1) Open the screen slightly, move Anti Lift Stop into position in a way that does not interfere with the Sliding Bar Guide



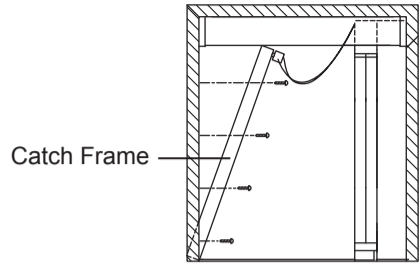
(2) Hold both sides of the bottom of the Sliding Bar Cover, pull it towards you, open it up while pulling it out. Remove it in sequence from the bottom.



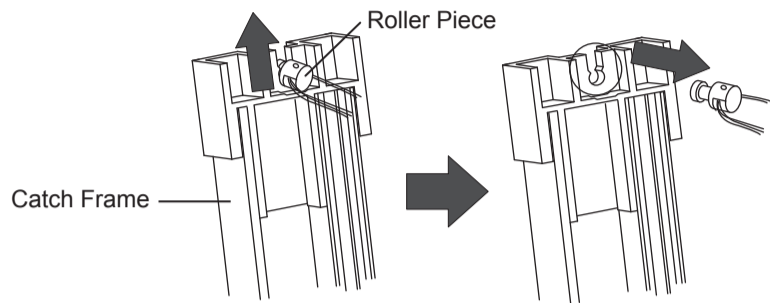
2 Removing the Original Screen Cartridge

SINGLE SCREEN

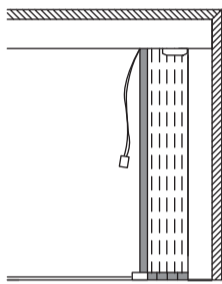
(1) Remove the Catch Frame by unscrewing (re-used).



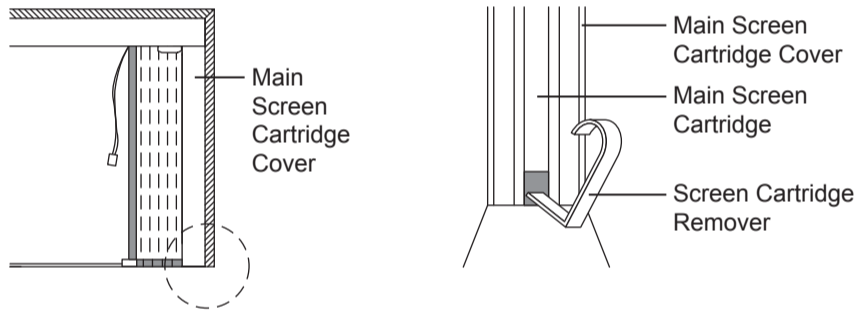
(2) Remove the Roller Piece from the Top of the Catch Frame.



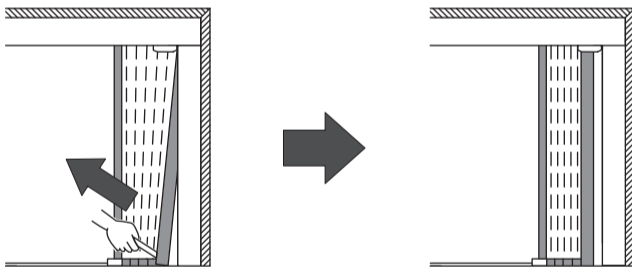
(4) Open the Mesh Slightly.



(5) Insert the Screen Cartridge Remover into the hole on the inner bottom of the Main Screen Cartridge.



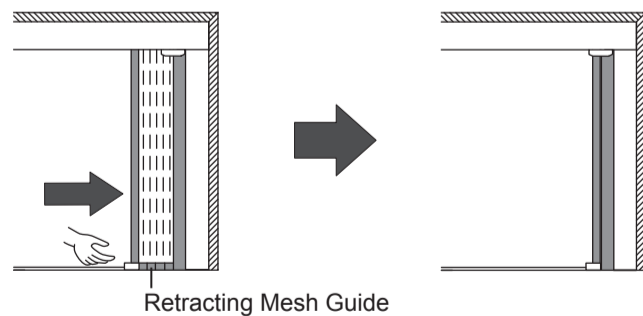
(6) Pull out the Main Screen Cartridge from the Main Screen Cartridge Cover using the Remover. Start from the bottom, then to the top.



(7) Close (retract) the Mesh gently by pushing the bottom part of the Sliding Bar.

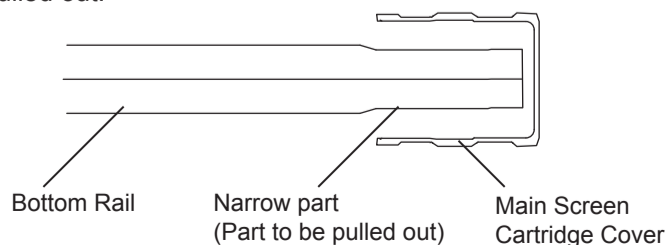
Caution

Be careful not to damage the Retracting Mesh Guide when folding the Mesh.



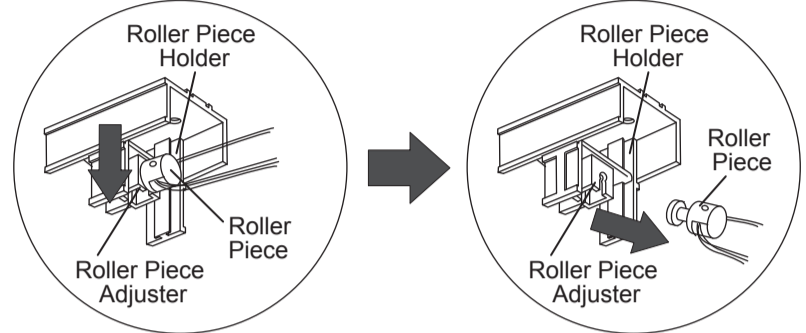
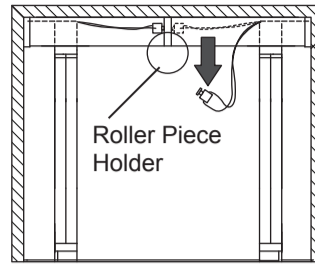
(8) Gently return the bottom of the Main Screen Cartridge to the Main Screen Cartridge Cover, then holding them both together, pull them out of the Bottom Rail.

Note; Pull out the Retracting Mesh Guide from the narrow part at the end of the Bottom Rail. On the rest of it the Retracting Mesh Guide is held in place by the Bottom Rail and cannot be pulled out.



DOUBLE SCREEN

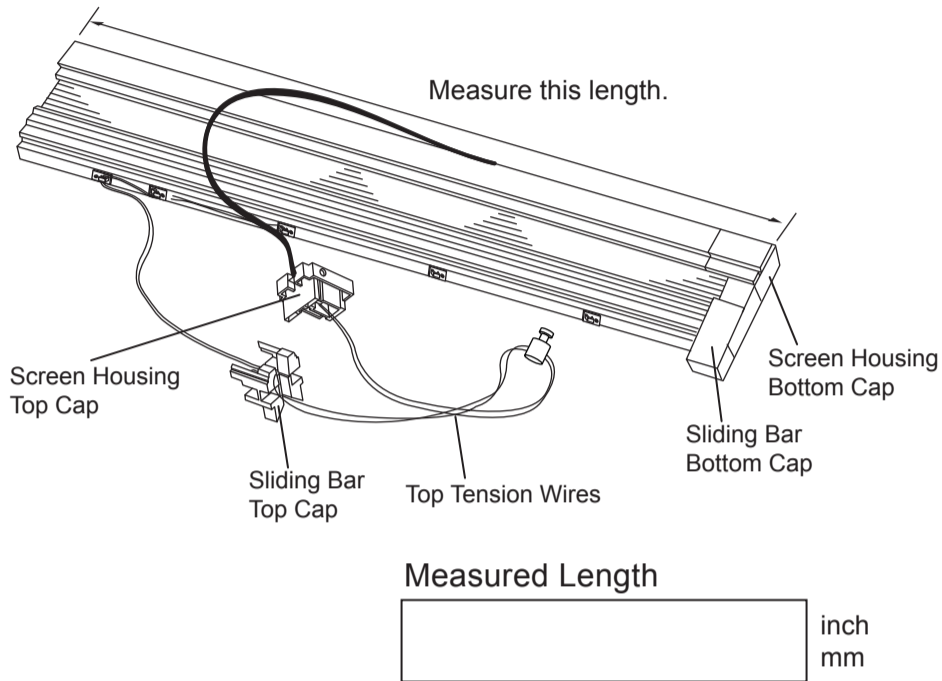
(3) Remove the Roller Piece from the Roller Piece Holder.



3 Measuring the Original (old) Main Screen Cartridge

Note; This procedure is only necessary when adjusting the replacement Main Screen Cartridge. For cartridges that have already been adjusted, please proceed to 5

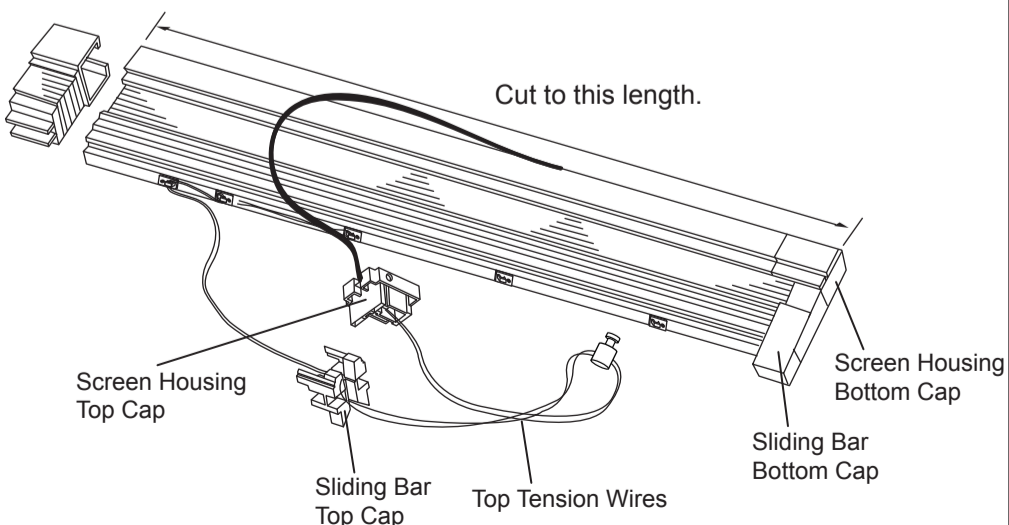
- (1) Remove Screen Housing Top Cap from the original (old) Main Screen Cartridge and set aside.
- (2) Remove Sliding Bar Top Cap from the original (old) Main Screen Cartridge and set aside.
- (3) Make sure the components at the top of the Main Screen Cartridge are all aligned. Measure the length between one end (from where the Top Caps were removed) and the other (the bottom of the Screen Housing Bottom Cap).



4 Cutting the Replacement (new) Main Screen Cartridge

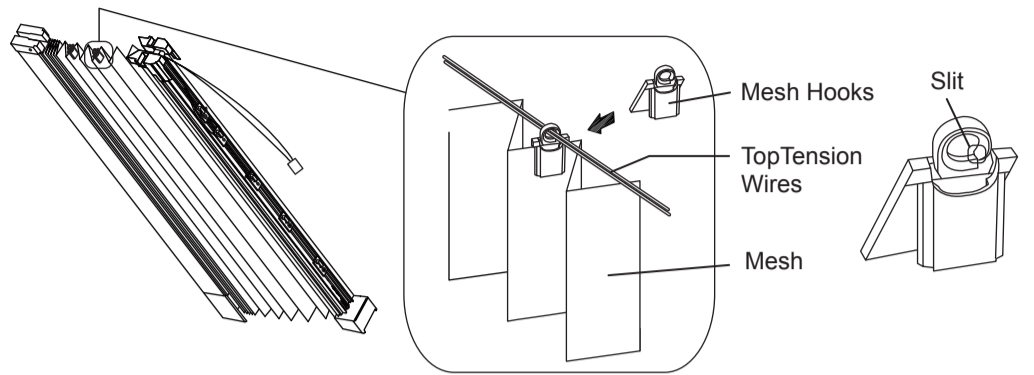
Note; This procedure is only necessary when adjusting the replacement Main Screen Cartridge. For cartridges that have already been adjusted, please proceed to 5

- (1) Remove Screen Housing Top Cap and set aside.
Note; care should be taken NOT to tangle the Tension Wires.
- (2) Remove Sliding Bar Top Cap and set aside.
Note; care should be taken NOT to tangle the Tension Wires.
- (3) Move the Top Tension Wires downward to clear the Wires from the cutting position.
- (4) Make sure the components at the top of the Main Screen Cartridge are all aligned. Measure FROM the opposite end of the Main Screen Cartridge (from the bottom of the Screen Housing Bottom Cap) and make a mark at the length measured above.
- (5) Before cutting, once again be certain that all components of the Main Screen Cartridge are aligned at the top.
- (6) Cut the Main Screen Cartridge straight along the mark.
- (7) Particles and burrs should be removed prior to proceeding.
- (8) Return the Screen Housing Top Cap to the top of the Screen Housing. Careful not to tangle/pinch the tension wires, and that they are oriented out the top facing the leading edge of the Sliding Bar.
- (9) Return the Sliding Bar Top Cap to the top of the Sliding Bar. Careful not to tangle/pinch the tension wires, and that they are oriented out the top facing the leading edge of the Sliding Bar.



5 Installing the Mesh Hooks

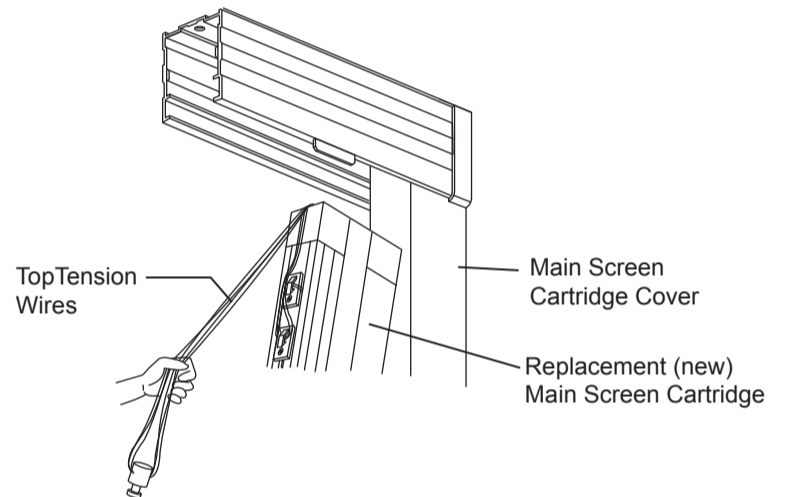
- (1) Place the Replacement (new) Cartridge on a flat surface and expand it 8"-10" (200mm-250mm). While holding the mesh, place Mesh Hooks at equal intervals by fitting the open end over the mesh and snapping shut.
- (2) Insert the Top Tension Wires through slits in the ring area of the Mesh Hooks.
- (3) Retract/close Main Screen Cartridge.



Caution Be careful not to damage the parts when folding and unfolding the Mesh.

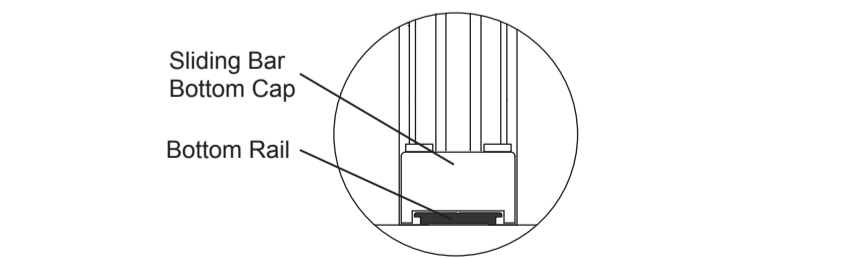
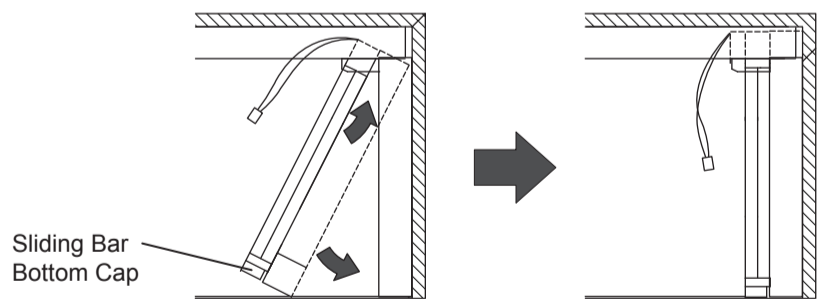
6 Installing the Replacement (new) Main Screen Cartridge

- (1) Tilt the Replacement (new) Main Screen Cartridge and insert the top of it into the Main Screen Cartridge Cover.



Caution When installing the Main Screen Cartridge, pull and hold the wires sticking out of the top of the cartridge. By doing so, ensure the wires are not caught between the cartridge and the cartridge cover.

- (2) Bring the Main Screen Cartridge to a vertical position, move downward to meet the Bottom Rail. Press the Cartridge firmly into the Cover until a "click" is heard. If unsure of a secure connection, place fingers inside and behind the mesh and press against the PVC base of the Cartridge firmly.

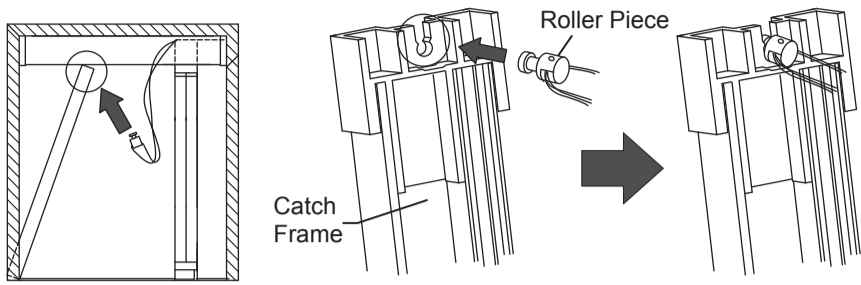


Caution Be certain the Main Screen Cartridge is sitting directly onto the Bottom Rail. Failing to do so will may cause damage to the screen.

7 Fixing the Roller Piece

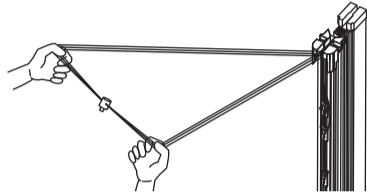
SINGLE SCREEN

- (1) Assured that the wires are not tangled, insert the Roller Piece into the slot of the Catch Frame Top Cap as in the image below.



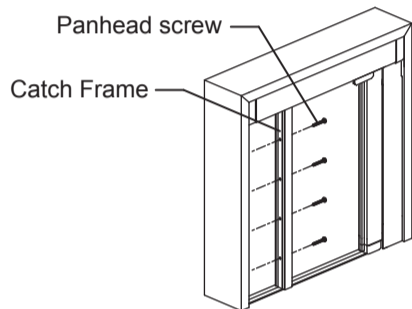
Caution

Assure that the wires are not tangled as indicated in the image below.



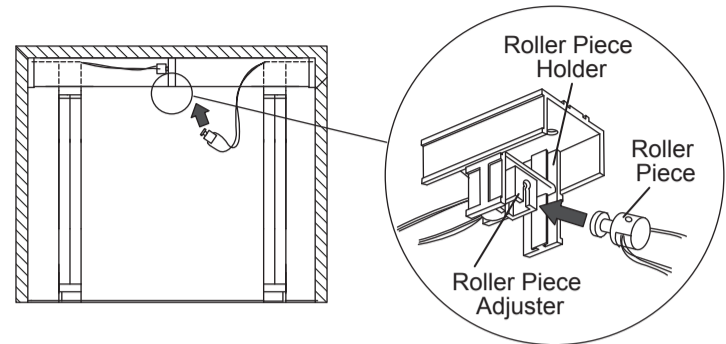
- (2) Place the bottom of the Catch Frame on the Bottom Rail, align the center of each component, bring the Catch Frame into a vertical position inside the Top Rail.

- (3) Fix the Catch Frame in place using panhead screws.



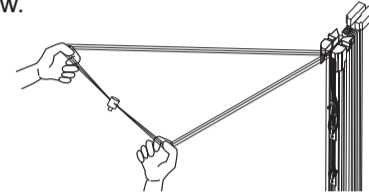
DOUBLE SCREEN

- (4) When assured that the wires are not tangled, insert the Roller Piece attached to the wires on the Main Screen Cartridge into the slot in the Roller Piece Adjuster, inside of the Roller Piece Holder.

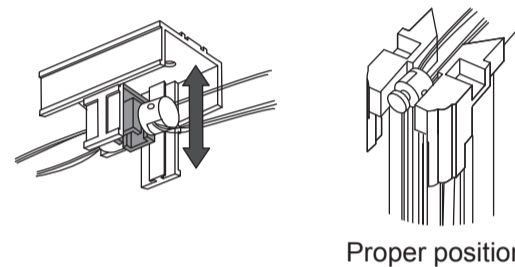


Caution

Assure that the wires are not tangled as indicated in the image below.



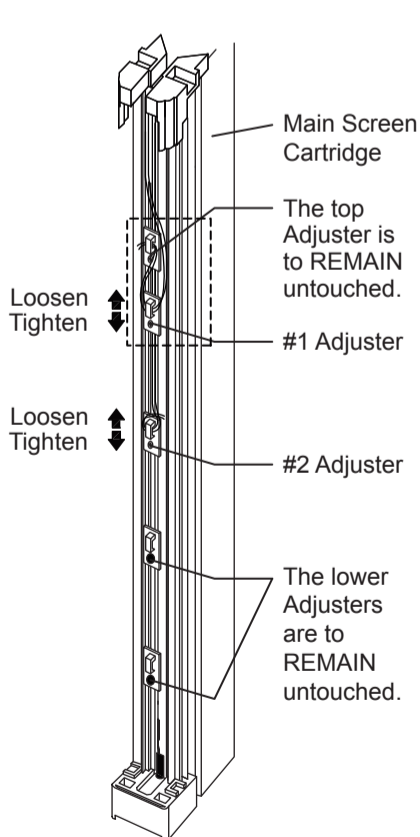
- (5) Once the Roller Piece is fitted to the Holder, move the Roller Piece Adjuster upward only as far to prevent interference with the Sliding Bar Top Cap.



8 Adjusting the Tension Wires

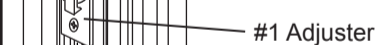
Prior to making any adjustments, cycle the sliding bar several times, at least as far as to meet with the Catch Frame (SINGLE) or the other Sliding Bar (DOUBLE). Observe the operation, should any of the below conditions apply, only then should adjustments be necessary.

- Note:
- Wire may be excessively slack (Especially after trimming and adjusting the length). In such cases, slide the Tension Wire Adjuster #1 until the wire is stretched tight.
 - Adjust only Adjusters #1 and #2. Loosen the Adjuster Screws and adjust. When complete, tighten being careful not to overtighten. Overtightening may cause damage to the Adjuster.

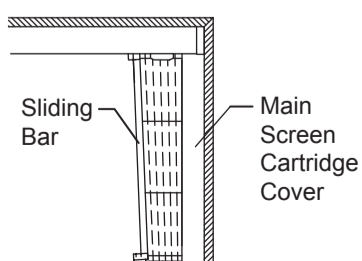


Caution

Make sure all the wires are completely hooked on #1 Adjuster before adjusting.

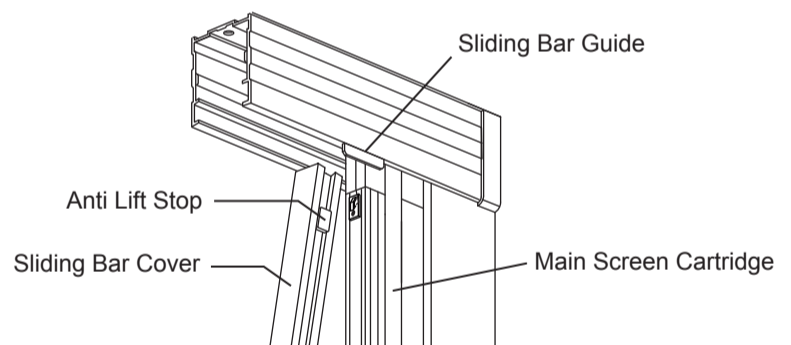


- If the Tension Wires are loose
Move Tension Wire Adjusters #1 and #2 to tightening direction.
- If operation of the Sliding Bar appears tight or stiff
Move Tension Wire Adjusters #1 and #2 to loosening direction.
- If the Sliding Bar tracks diagonally
If the Sliding Bar tracks diagonally, as in the image below, or, when placed against the Catch Frame (SINGLE) or the other Sliding Bar (DOUBLE), the Sliding Bar Bottom Cap does not meet with the Catch Frame or the other Sliding Bar, move Tension Wire Adjusters #1 slightly to loosen, or #2 slightly to tighten.
If the Sliding Bar tracks diagonally in the opposite direction, move Tension Wire Adjusters #1 slightly to tighten, or #2 slightly to loosen.

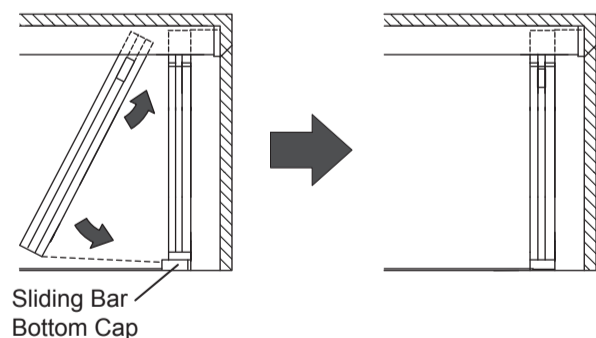


9 Installing the Sliding Bar Cover

- (1) Before installing Sliding Bar Cover, orientation of the Anti-Lift Stop and Sliding Bar Guide need to be located on the same side of the screen. Tilt and carefully fit the top of the Cover into the Sliding Bar Top Cap.



- (2) Bring the Cover to a vertical position, and have the bottom of it meet with the Sliding Bar Bottom Cap so there is no gap between the two.



- (3) Close the screen so the Sliding Bar is at least in the center of the opening. With the palm of a hand on the leading edge of the Sliding Bar, and fingers tucked in the back side against the base of the Sliding Bar, squeeze the two components together until a "click" is heard.