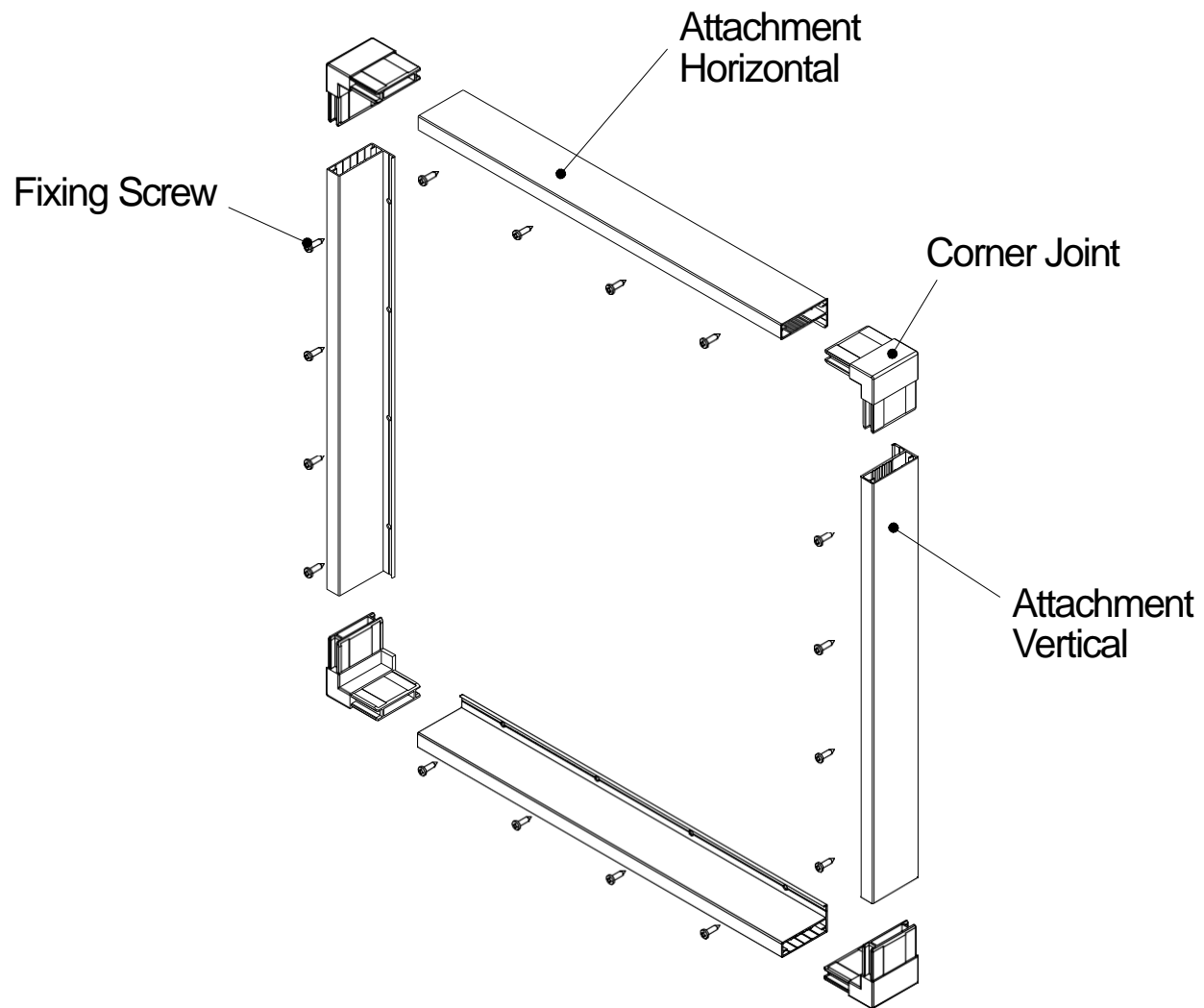
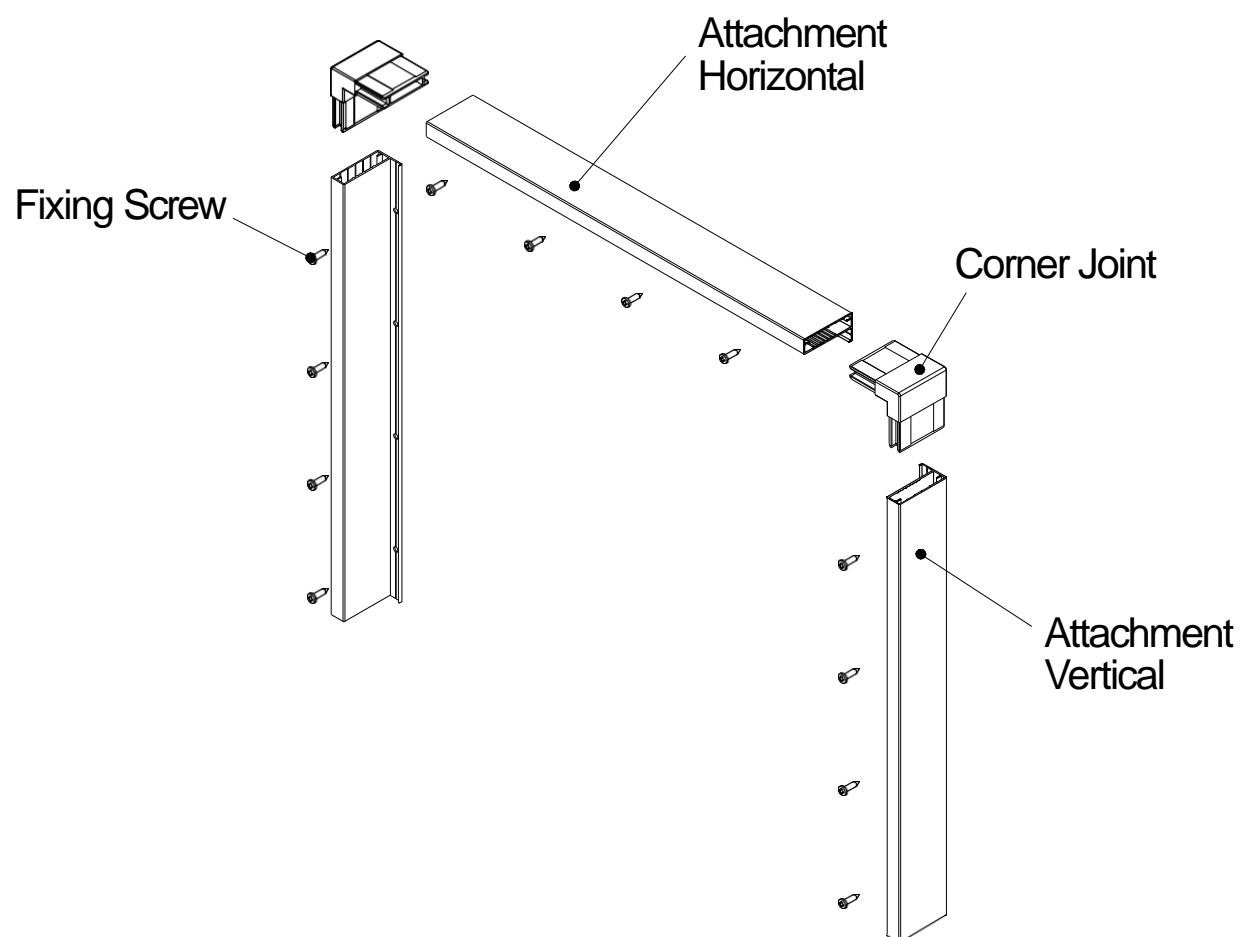


Prior to installation, the surfaces where any screen components are to be installed must be flat, straight, square, plumb and level. The surface must be free of dirt and debris.

Four Sided Application



Three Sided Application



1 Assemble the Face Mount Attachment using the Corner Joints (Fig.#1, #2).

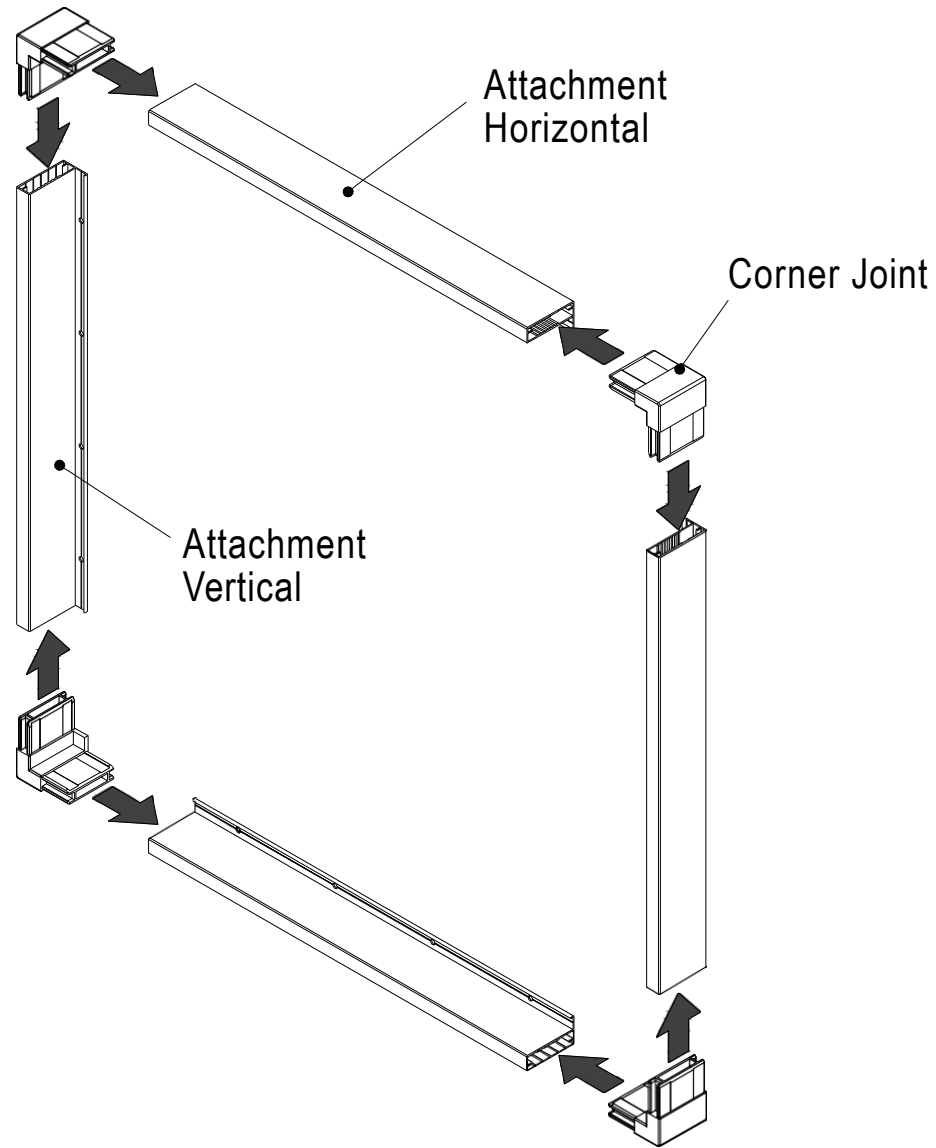
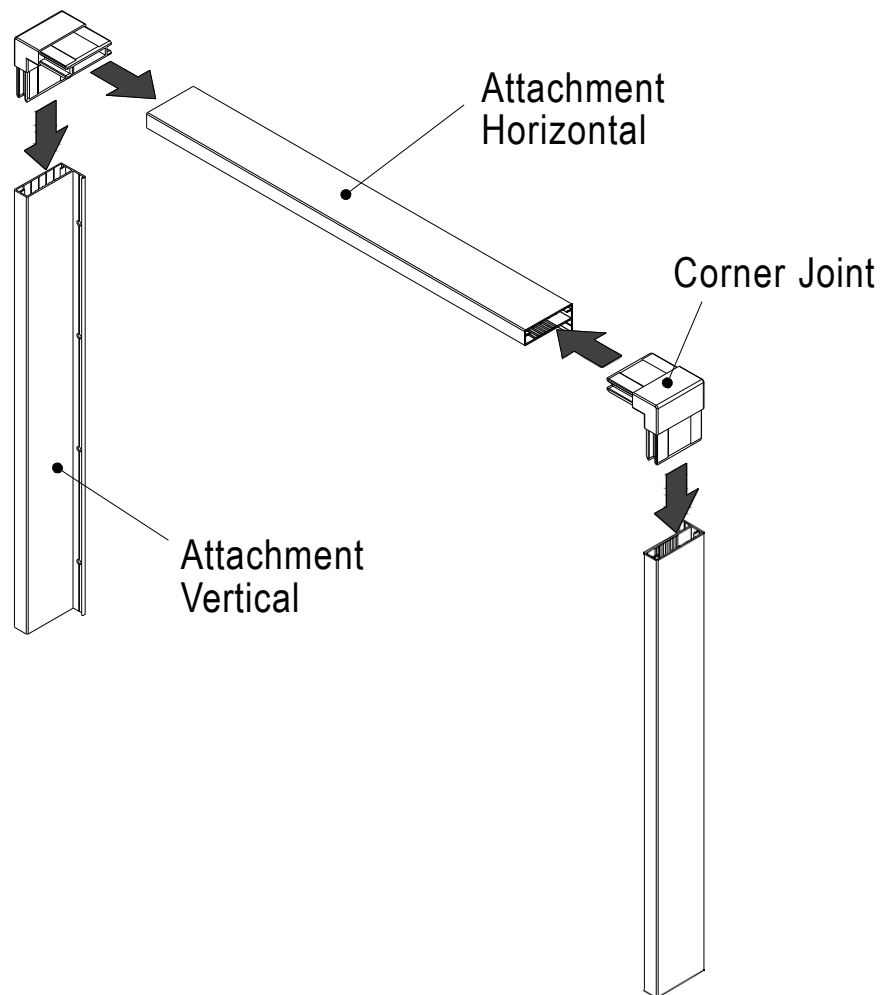
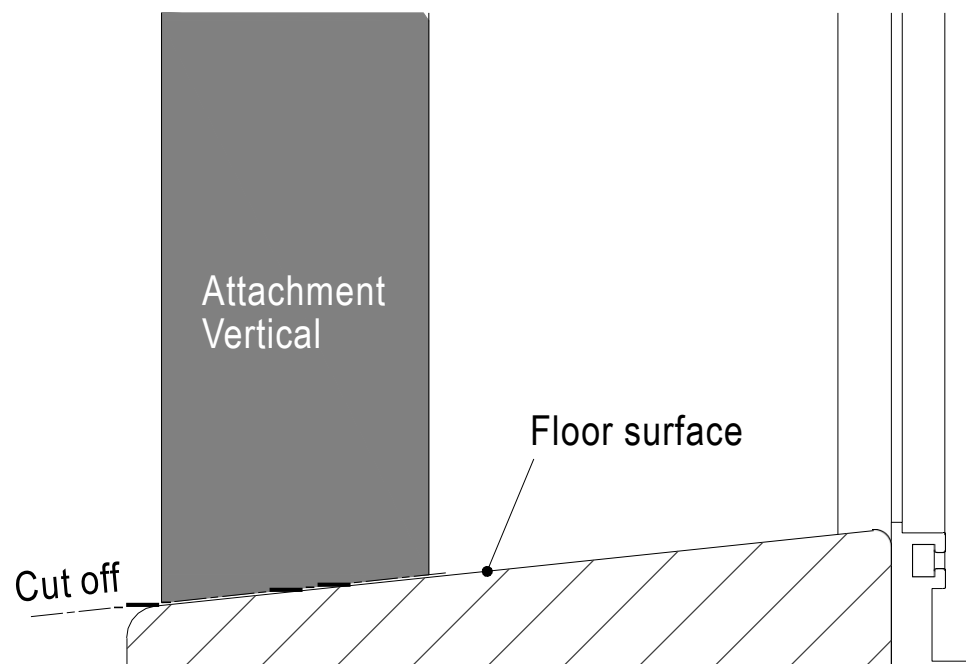


Fig. #1 : Four Sided Application



Caution



※ Tips : In case of Three Sided Application, the bottom part of Face Mount Attachment must be cut to suit the shape of the floor surface before the assembly of Face Mount Attachment.

Fig. #2 : Three Sided Application

2 See the reference (Fig.#3) and fix the Attachment to the surface with screws.

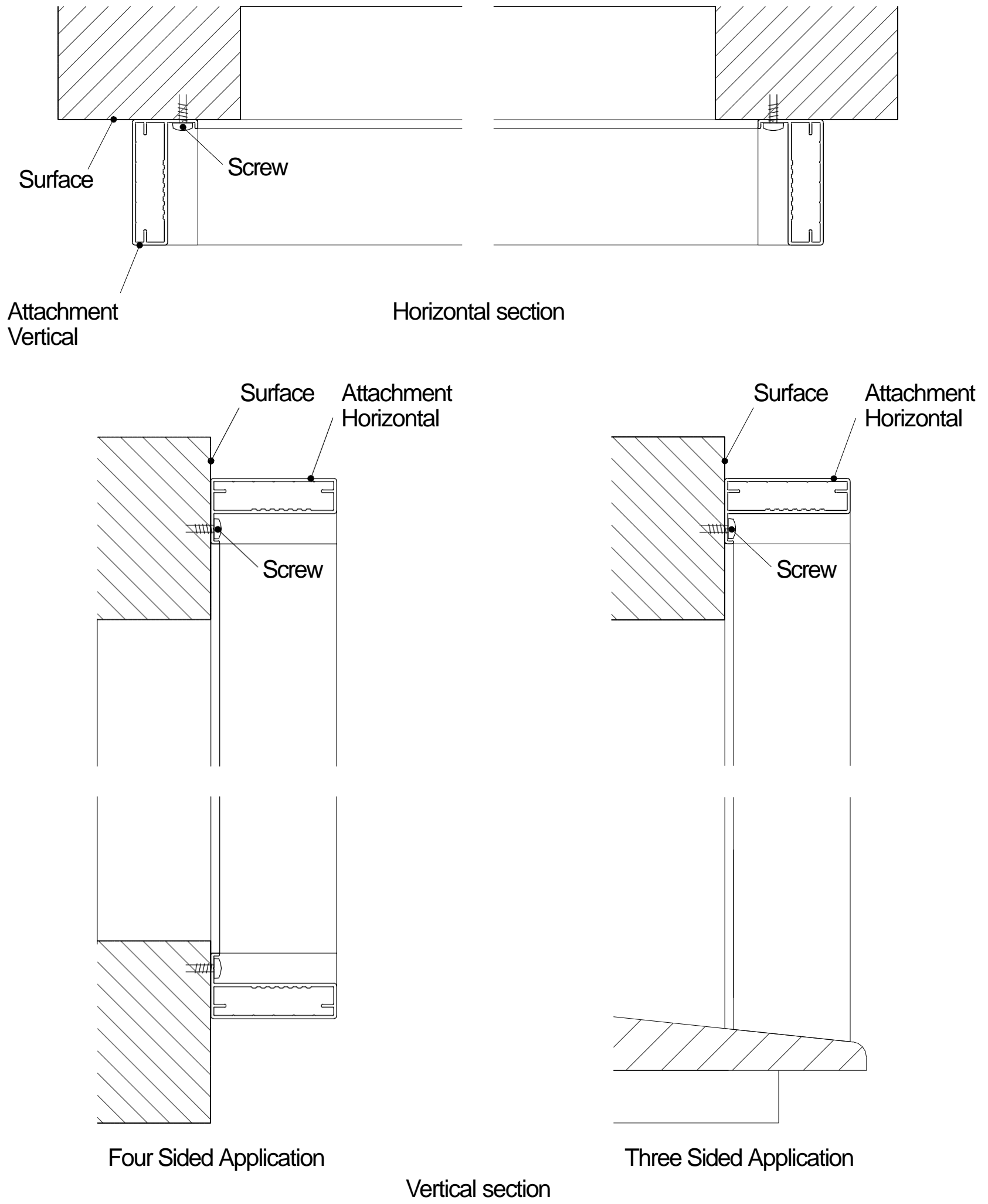
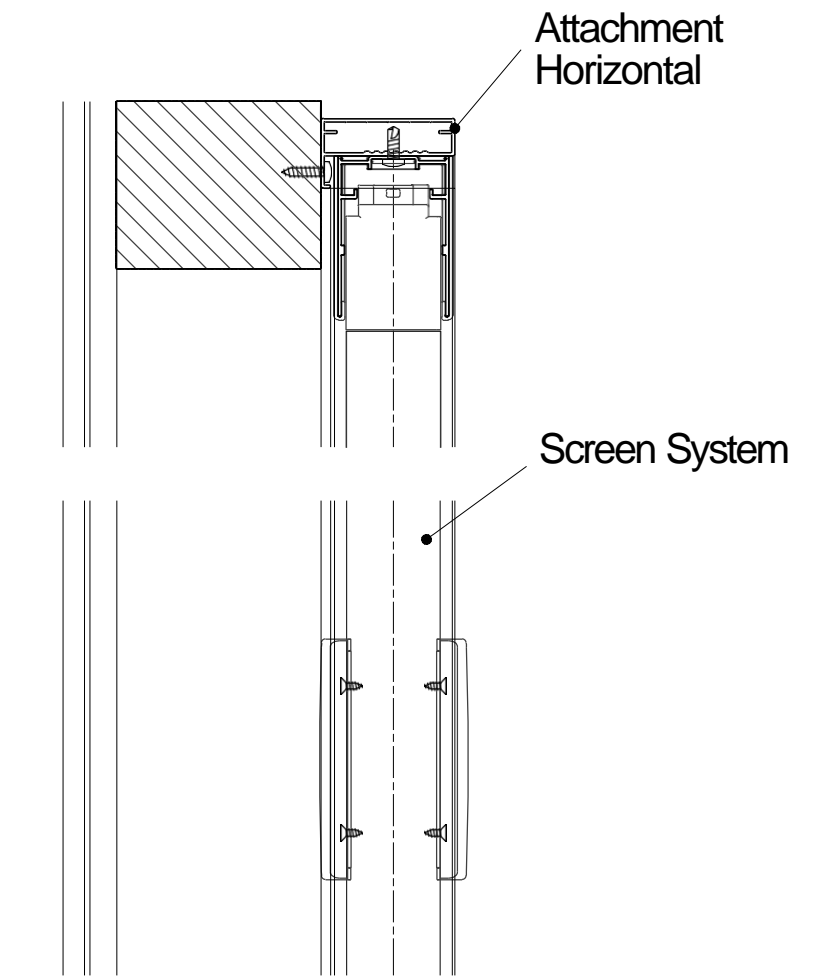
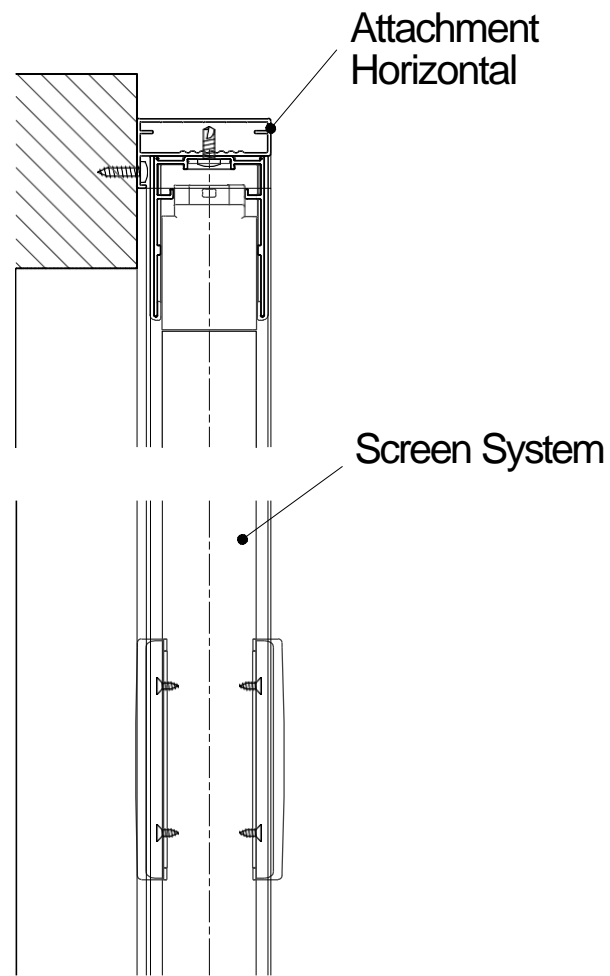
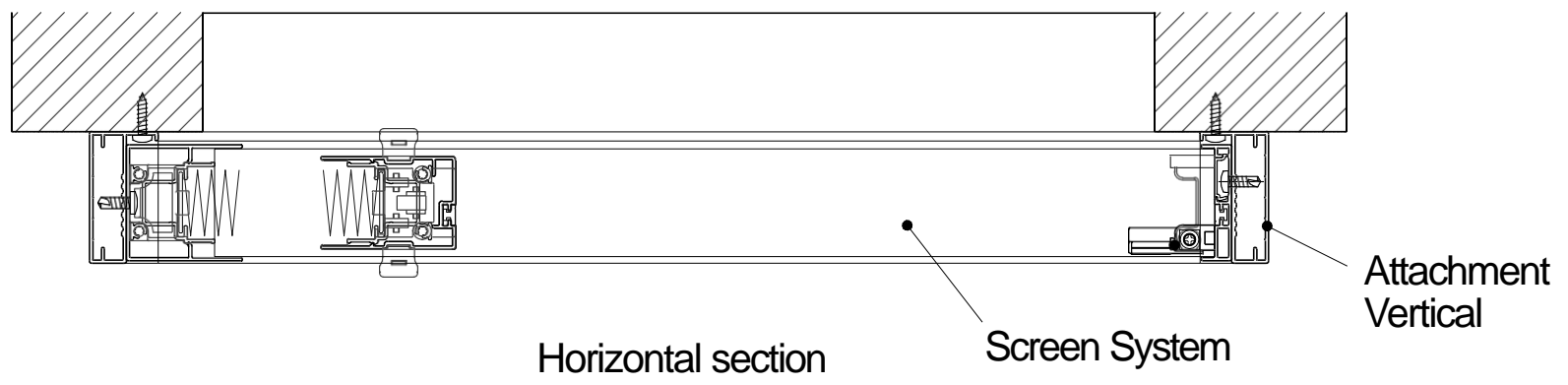


Fig. #3

Screen System Install Image



Four Sided Application

Three Sided Application

Vertical section