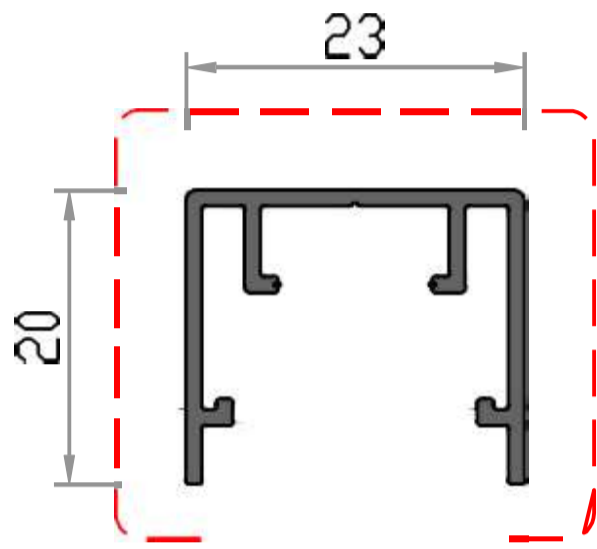
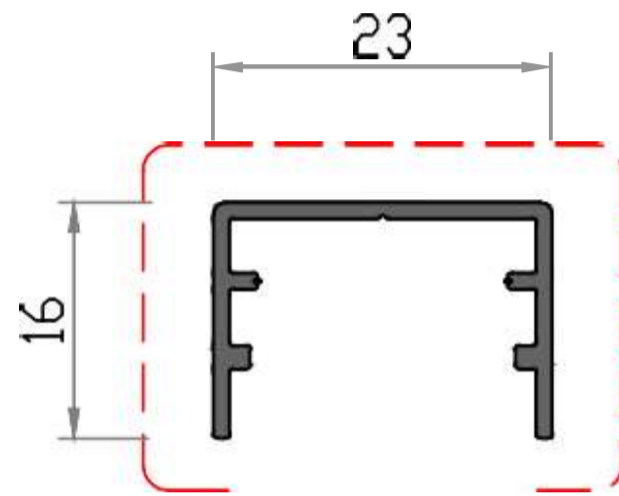


# Extrusion Profiles

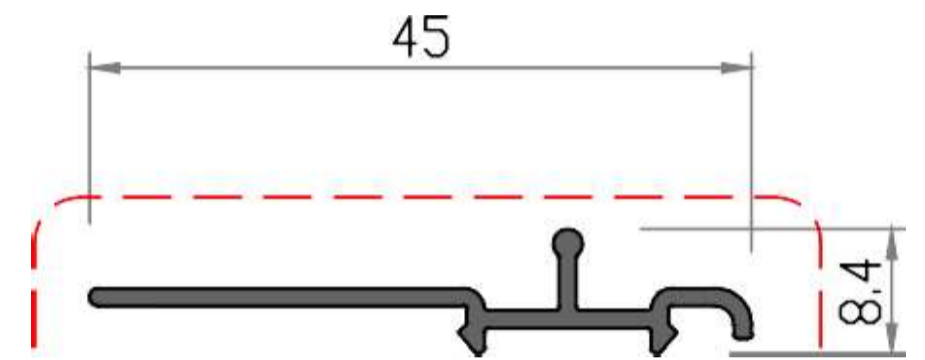
## MONARCH WINDOW



Guide Rail



Frame



Sliding Bar Cover

