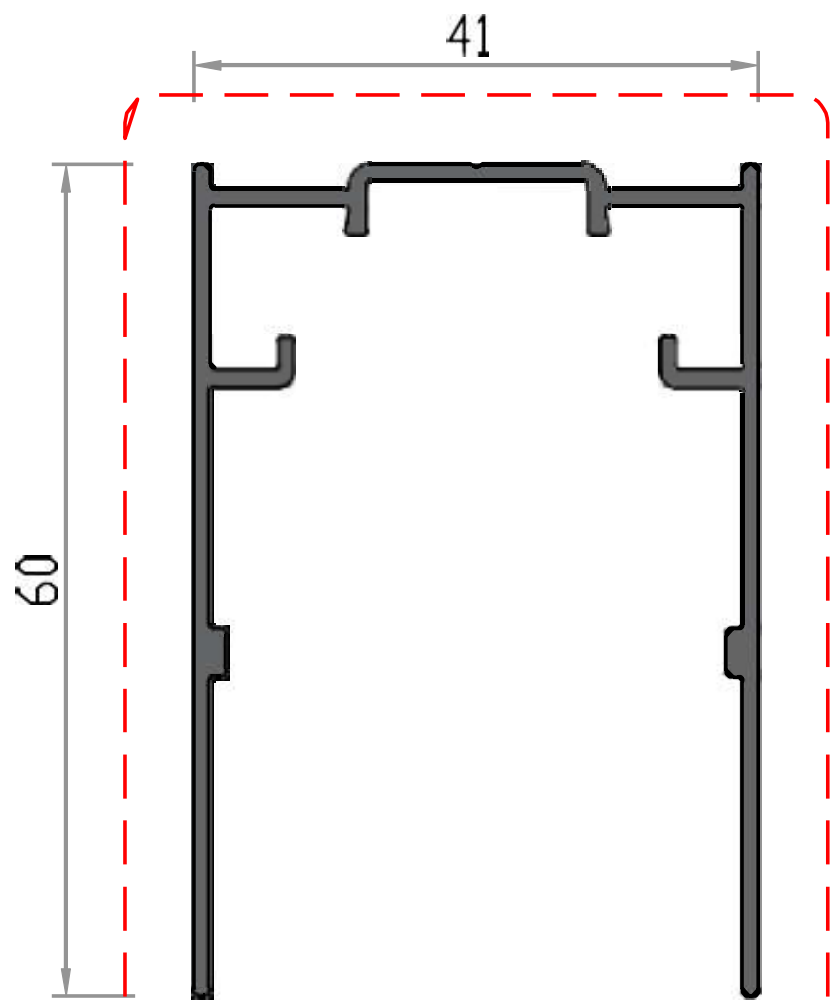
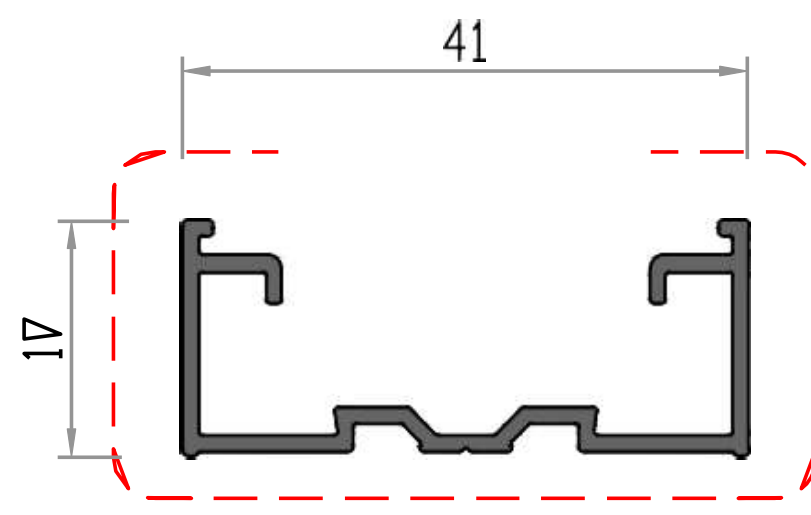


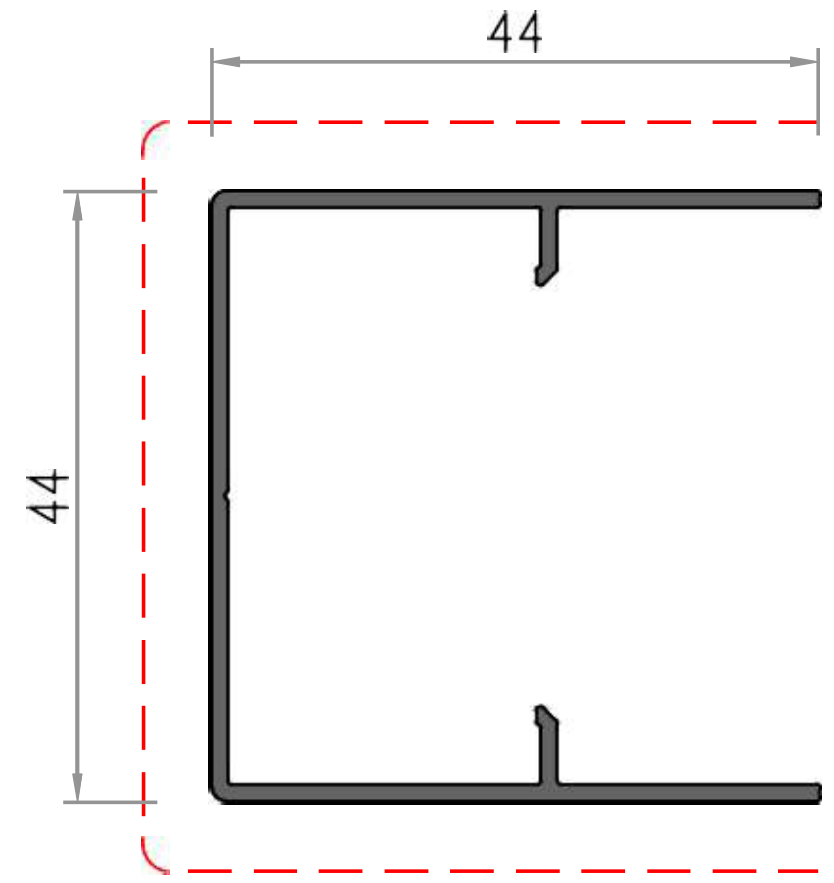
# Extrusion Profiles



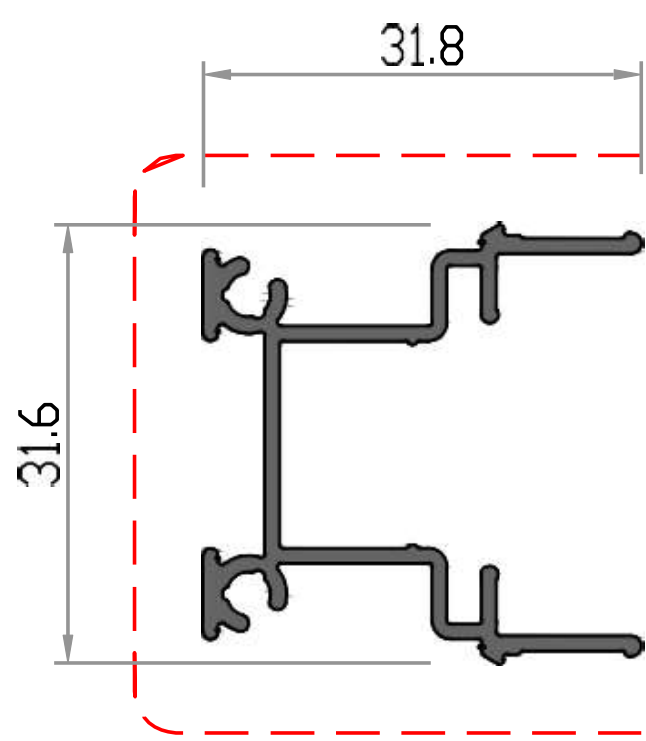
Top Rail



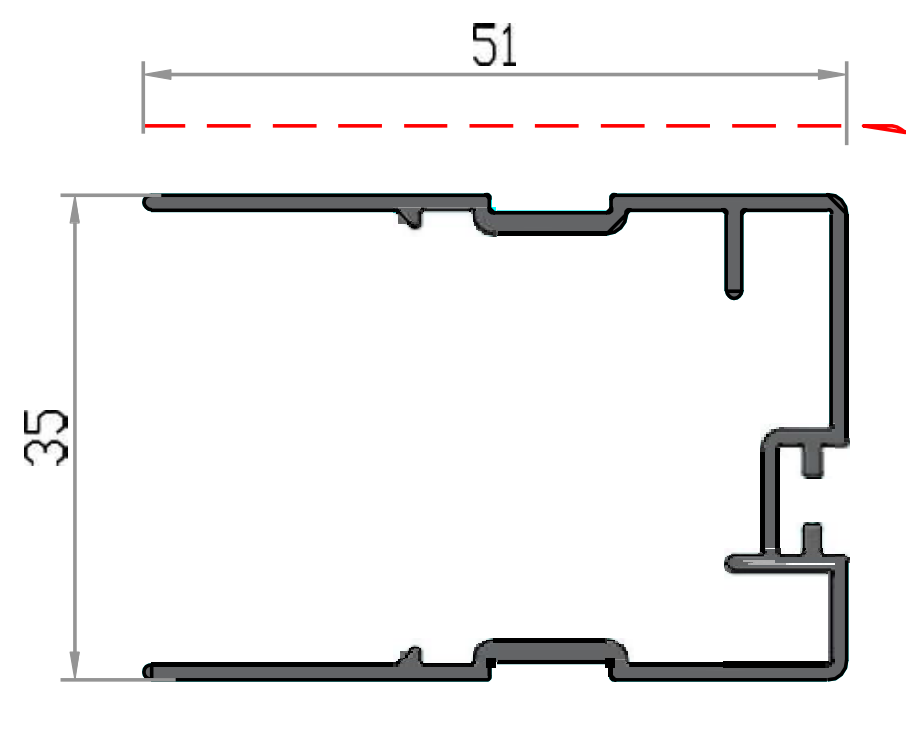
Bottom Rail



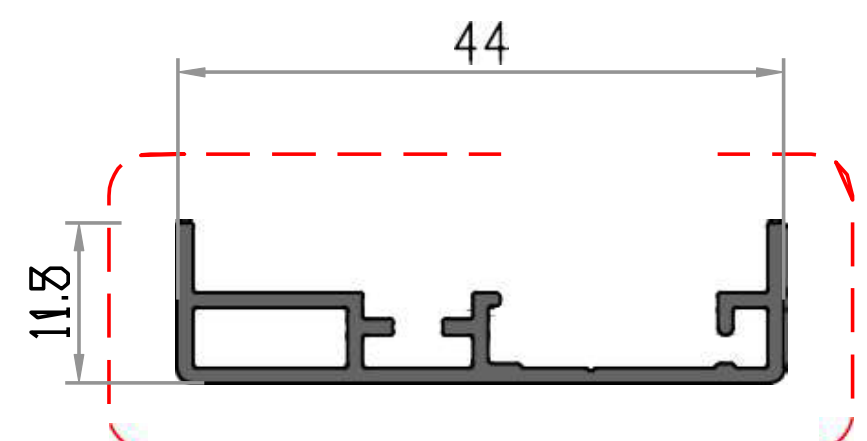
Housing



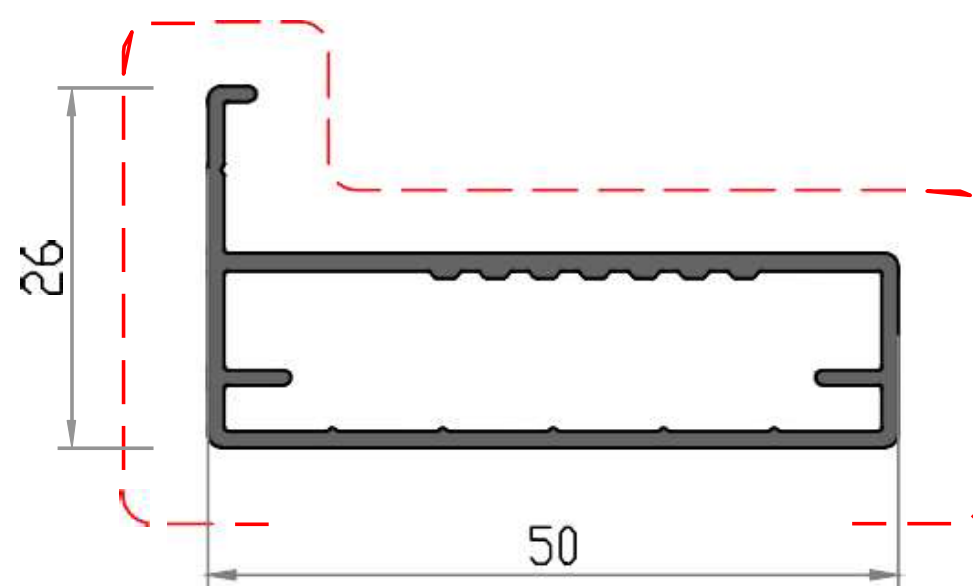
Inner Cartridge



Sliding Bar



Catch Frame



Face Mount Attachment